



**PLEASE READ ALL INSTRUCTIONS CAREFULLY PRIOR TO INSTALLATION. REPLACE ANY CRACKED OR DAMAGED PROTECTIVE SHIELDS AND ITEMS. THIS FIXTURE MUST BE ASSEMBLED AND INSTALLED BY A QUALIFIED ELECTRICIAN.**

**Technical Data:**

MODEL	RATED VOLTAGE	RATED WATTAGE	DRIVER TYPE	PROTECTION
ADV-4-2-LED-48W	AC 120-277V, 50-60 Hz	Max. 48W	Class 2	IP65
ADV-8-2-LED-96W	AC 120-277V, 50-60 Hz	Max. 96W	Class 2	IP65

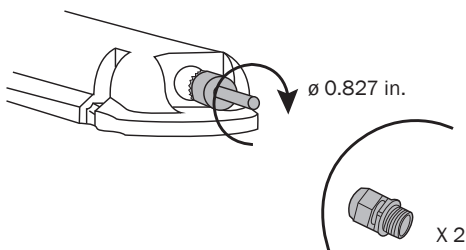
**Safety Instructions:**

1. REMEMBER: This fixture MUST be installed by a qualified electrician.
2. Disconnect the existing lamp from the power supply prior to installation. Let the lamp cool down before replacing the luminaire.
3. DO NOT TOUCH the LED lamp with your bare hands prior to or during installation.
4. Replace the lamp cover if it is broken, cracked or damaged in any way. Never use the fixture without the lamp cover in place.
5. In case of damage, disconnect the lamp from the power supply. DO NOT try to repair the lamp on your own. Repairs must be done by a qualified electrician or factory service.
6. Please refrain from looking directly into the light source.
7. Please connect fixture with Awg 18 type SJ or SJT grounded cord-set rated minimum 60C.  
TO PREVENT ELECTRIC SHOCK, MATCH WIDE BLADE OF PLUG TO WIDE SLOT.  
POUR EVITER LES CHOCS ELECTRIQUES, INTRODUIRE LA LAME LA PLUS LARGE DE LA FICHE DANS LA FENTE LA PLUS LARGE.
8. Please make sure the ground wire has been connected before turning on the switch.

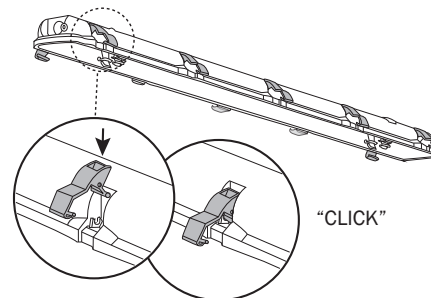
**Installation:**

1. Position the cable gland into the line hole in the base.

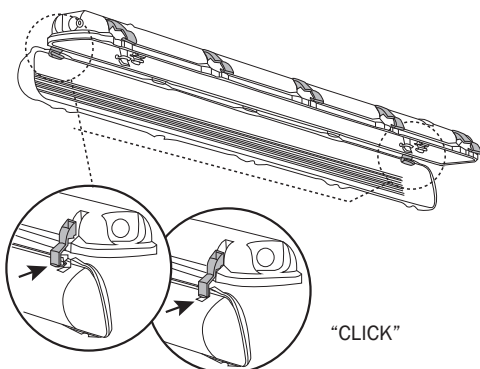
Through Wire Only



2. Assemble the clips into the designated position.

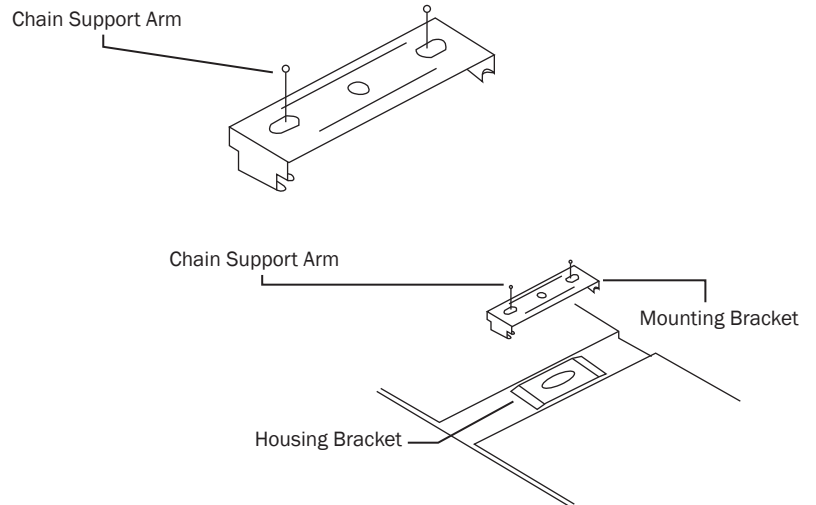
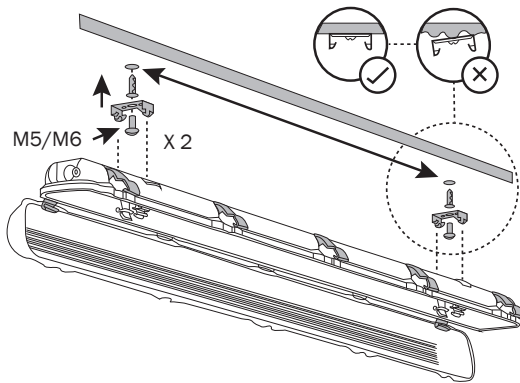


3. Fix the two ends of the cover and base first.

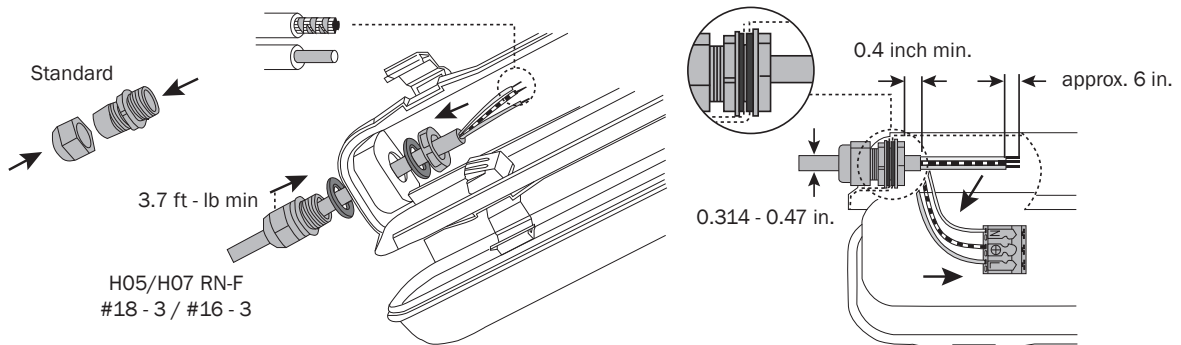


### Installation (Continued):

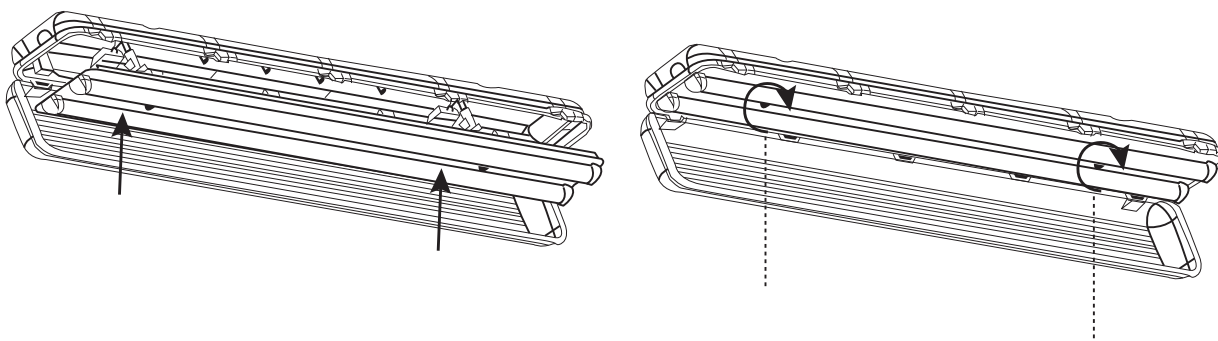
4. Drill the mounting holes at the place of installation (i.e. shelf / ceiling). Make sure that no cables or other lines are concealed in the area of drilling.



5. Insert the suitable installation cable through the washer in the hole. (The washer can be moved into the desired position by slightly pulling.) Connect the cable end with the saddle at the connecting plate. Pay attention to the correct polarity.

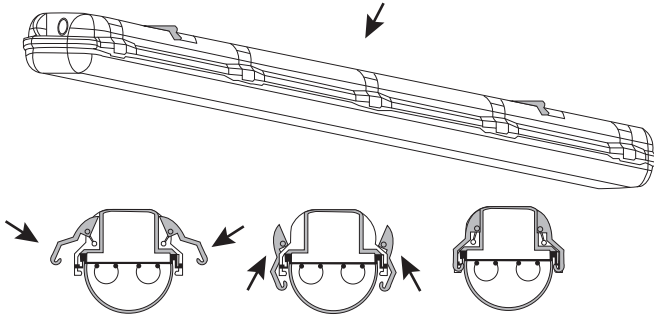


6. Fix the LED light plate onto the base.



### Installation (Continued):

7. Put on the cover and fasten with the clips. All clips should be used.



Please follow local regulations regarding recycling of existing fixtures. Remember, old fixtures contain valuable materials and may contain hazardous materials such as mercury. They should be sent to the appropriate recycling facility.

Do not cause unnecessary harm to the environment and human health through uncontrolled waste disposal. Please dispose of old equipment at the appropriate recycling facility.