



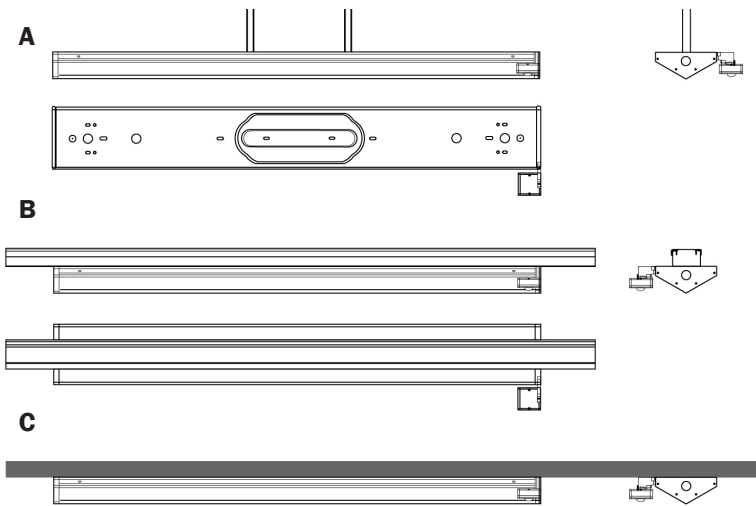
### WARNING

- RISK OF ELECTRICAL SHOCK
- TURN OFF POWER BEFORE REPLACING OR TRIMMING THE FIXTURE

### Pre-Installation Checklist:

- Check input power, AC 120/277V 50-60Hz applicable product.
- Make sure the input power is constantly supplied.
- Check for a short-circuit in the electrical wiring.
- Check for damage of the conductor installation.
- Make sure that the mounting surface is free of damage and deformities.
- Use in a temperature range from 104° F (indoor only) to -4° F.
- High temperatures may cause overheating, which can cause a malfunction or fire.

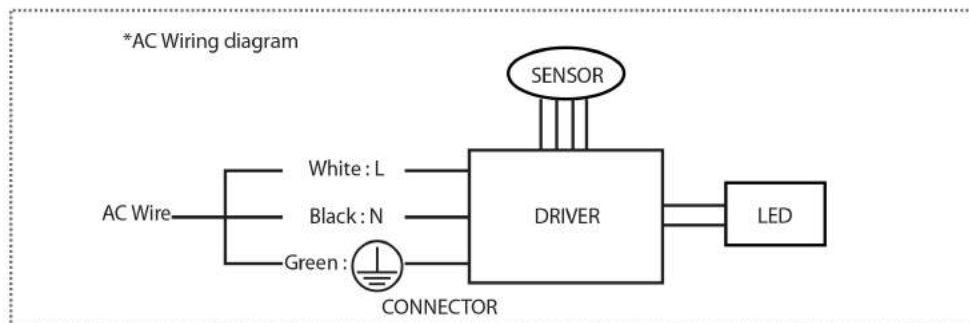
- A. Pendant Type**
- B. Raceway Type**
- C. Wall Type**



### Installation Precautions:

- Fixture to be installed only by the mentioned mounting methods.
- The fixture must be properly connected to the mounting bracket. When not properly connected, the fixture may fall, cause electrical shock or fire.
- Refrain from modifying the fixture. Do not arbitrarily add or change components in this product. There is no guarantee that the original performance of the products. It also creates the potential for an electric shock.
- Handle fixture with care. Do not bump, slam or throw the fixture as there are plastic components which may be damaged.
- Keep away from flammable materials. There is a risk of fire.

### AC Wiring Diagram:

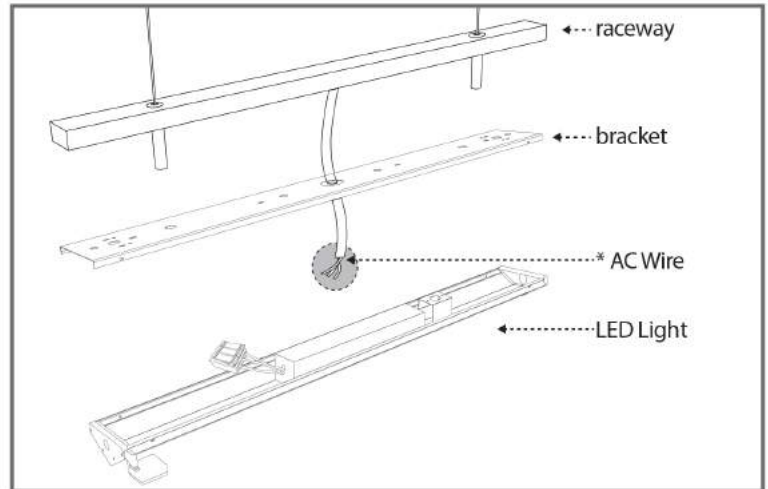


# INSTALLATION INSTRUCTIONS

## Penta LED Linear Light

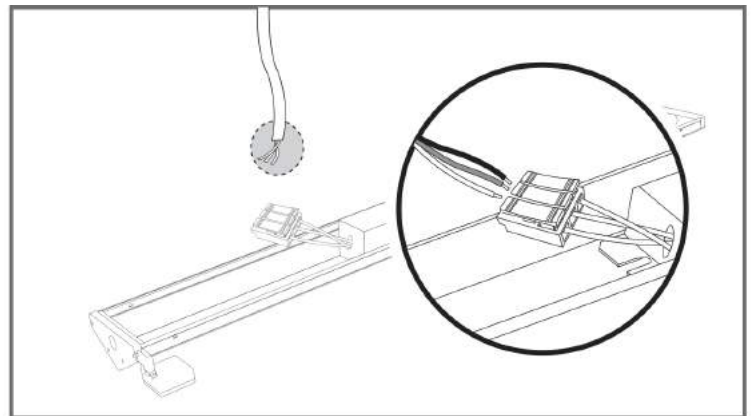
### STEP 1:

- Attach the mounting bracket to mounting surface. (Raceway, pendant, wall, ceiling, etc.)



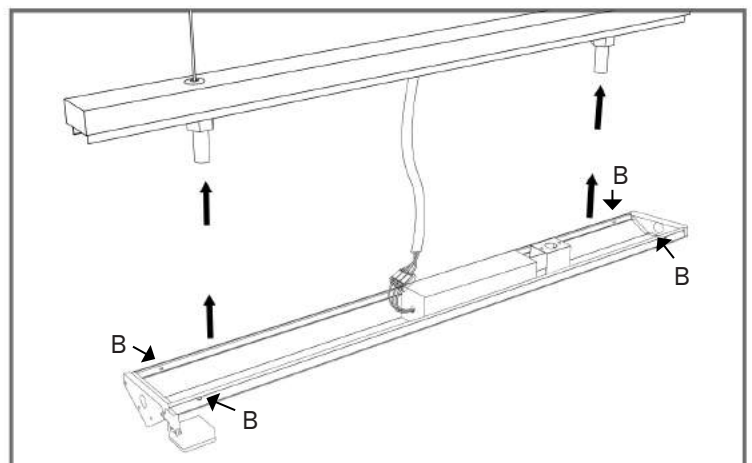
### STEP 2:

- Connect the AC power lines to the driver wires per the instructions on driver. Connect ground wire.



### STEP 3:

- A) Push the fixture body onto the mounting bracket.  
B) Secure the fixture body to the mounting bracket using the included 4 screws.



# INSTALLATION INSTRUCTIONS

## Penta LED Linear Light

### Remote Control:

- Factory default settings: PGM mode G1/ PGM / H100% / L20% / ON3 min./ DIM 1 in.
- The desired function of the remote control toward the light sensor and press the button, the light is blinking twice and the function is set.
- Save by pressing the SAVE button to set and check the operation status.



\*Note: If motion sensor is being operated, it may cause interfere remote control settings.  
In addition, bluetooth communication used separate manager remote control.

# INSTALLATION INSTRUCTIONS

## Penta LED Linear Light

### Description of Operation Modes:

	Applicable settings
PGM	<p>This mode is operative to detect the movement of a person. Such as the linkage between the light is possible and can be divided into groups, such as through a group setting.</p> <ul style="list-style-type: none"> <li>- G1, G2, G3, G4, G5, G6, G7, G8 (group set)</li> <li>- LED (Green and blue LED ON / OFF mounted on the sensor)</li> <li>- R (ON speed rate upon on detection)</li> <li>- SAVE (Save settings)</li> <li>- HIGH 100%, 80%, 60% (Highest brightness settings on detection)</li> <li>- LOW 40%, 20%, 10% (Setting minimum brightness on dimming)</li> <li>- ON 3Min, 1Min, 30SEC ( ON time after detection - when motion is detected, the time is extended)</li> <li>- DIM 1Min, 30SEC, 10SEC (Dimming time when there is no sense – when the motion is detected, the time is extended)</li> </ul>
DPM	<p>Mainly applied to the window. During the day OFF (10%), at night, maintaining and operating the motion detection and an individual selected (LOW) brightness. (As such it is not being linked between the lighting lamps.)</p> <ul style="list-style-type: none"> <li>- R (ON speed rate upon on detection)</li> <li>- SAVE (Save settings)</li> <li>- HIGH 100%, 80%, 60% (Highest brightness settings on detection)</li> <li>- LOW 40%, 20%, 10% (Setting minimum brightness on dimming)</li> <li>- ON 3Min, 1Min, 30SEC ( ON time after detection - when motion is detected, the time is extended)</li> <li>- DIM 1Min, 30SEC, 10SEC (Dimming time when there is no sense – when the motion is detected, the time is extended)</li> </ul>
PM	<p>Operate as a separate mode that senses human movement. (As such it is not being linked between the lighting lamps.)</p> <ul style="list-style-type: none"> <li>- LED (Green and blue LED ON / OFF mounted on the sensor)</li> <li>- R (ON speed rate upon on detection)</li> <li>- SAVE (Save settings)</li> <li>- HIGH 100%, 80%, 60% (Highest brightness settings on detection)</li> <li>- LOW 40%, 20%, 10% (Setting minimum brightness on dimming)</li> <li>- ON 3Min, 1Min, 30SEC ( ON time after detection - when motion is detected, the time is extended)</li> <li>- DIM 1Min, 30SEC, 10SEC (Dimming time when there is no sense – when the motion is detected, the time is extended)</li> </ul>
D	<p>Automatic light brightness control by ambient intensity operations, as specified internal input values. (As such it is not being linked between the lighting lamps.)</p> <ul style="list-style-type: none"> <li>- SAVE (Save settings)</li> <li>- HIGH 100%, 80%, 60% (Highest brightness settings on detection)</li> <li>- LOW 40%, 20%, 10% (Setting minimum brightness on dimming)</li> </ul>
FIX	<p>The settings available for regular lighting.</p> <ul style="list-style-type: none"> <li>- 100%, 80%, 60%, 40%, 20%, 10%</li> </ul>