



**PLEASE READ ALL INSTRUCTIONS CAREFULLY PRIOR TO INSTALLATION. REPLACE ANY CRACKED OR DAMAGED PROTECTIVE SHIELDS AND ITEMS. THIS FIXTURE MUST BE ASSEMBLED AND INSTALLED BY A QUALIFIED ELECTRICIAN.**

### Technical Data:

MODEL	RATED WATTAGE	PROTECTION
PHX22-145-4K	Max. 144.3W	IP65
PHX22-145-5K	Max. 146W	IP65
PHX22-230-4K	Max. 232W	IP65
PHX22-230-5K	Max. 234.2W	IP65

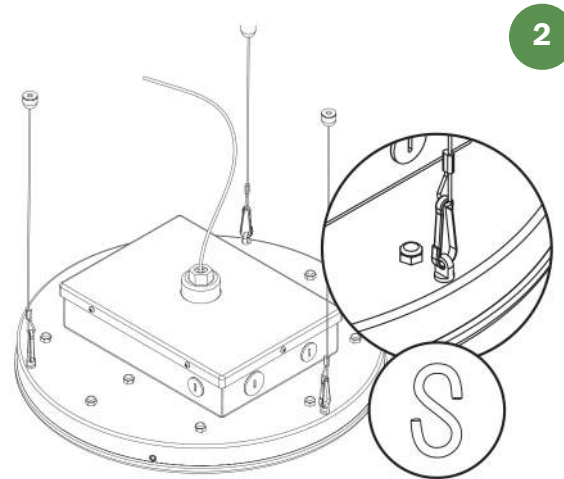
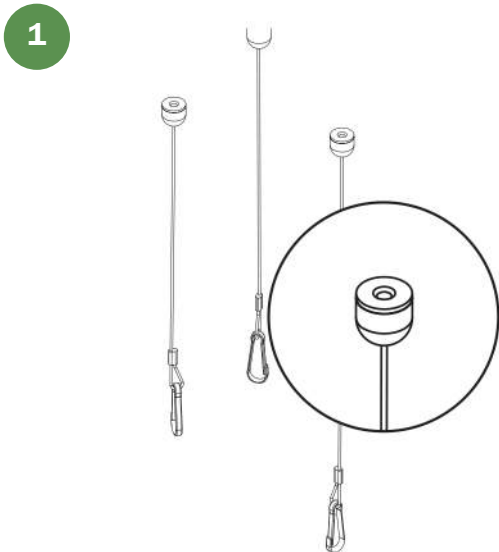
### Safety Instructions:

**READ AND FOLLOW ALL INSTRUCTIONS:** To reduce the risk of electrical shock, turn off the power supply prior to installation or servicing. The luminaire must be installed in accordance with the National Electrical Code (NEC) or your local electrical code. If you are unfamiliar with codes and requirements, consult a qualified electrician. Check to make sure that all the input power connections have been properly made and the module is grounded to avoid potential electrical shock. **DO NOT LIFT LUMINAIRE BY ITS POWER LEADS. PLEASE SAVE THESE INSTRUCTIONS FOR FUTURE REFERENCE.**

\* Please note that all mounting hardware and accessories are not included.

### Installation:

1. Mount chains to ceiling. Recommended: Zinc Plated S-Hook and Galvanized Steel Cable
2. Install chains onto fixture.



Recommended: Zinc Plated S-Hook and Galvanized Steel Cable

# PHOENIX LED

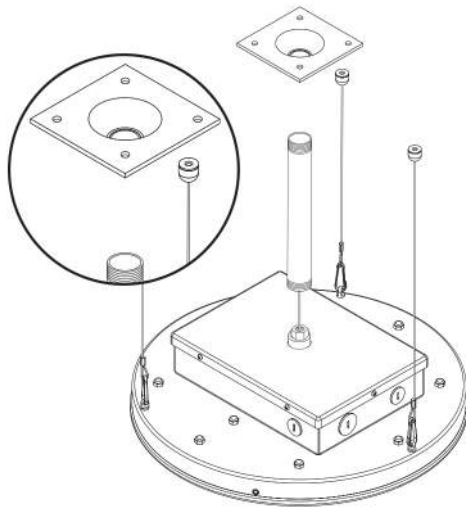
## Installation Instructions

### Installation (Continued):

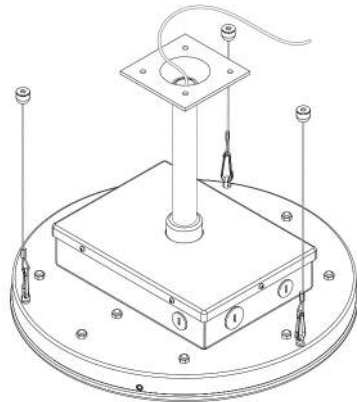
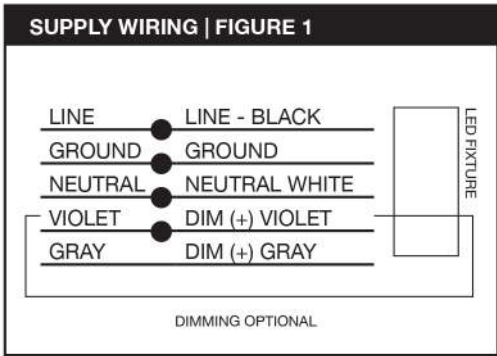
3. Screw 3/4" threaded pendant pipe into the pendant mounting hub. Feed fixture chord through pendant.
4. Mount the pendant to the pre-existing J-BOX (supplied by others) and make the wire connections necessary.

#### Wire Connections (Refer to Figure 1)

- a) Connect the black fixture lead to the voltage supply position of the terminal block or Hot Wire. (For 100/277V wiring.)
- b) Connect the white fixture lead to the neutral supply position of the terminal block or wire. (For 100/277V wiring.)
- c) Connect the green or green/yellow ground lead to the green wire position of the terminal block.
- d) If 0 to 10V dimming is an option, connect the violet dimming positive lead to the supply dimming positive lead.
- e) If 0 to 10V dimming is an option, connect the grey dimming negative lead to the supply dimming negative lead.



3



4



Please follow local regulations regarding recycling of existing fixtures. Remember, old fixtures contain valuable materials and may contain hazardous materials such as mercury. They should be sent to the appropriate recycling facility.

Do not cause unnecessary harm to the environment and human health through uncontrolled waste disposal. Please dispose of old equipment at the appropriate recycling facility.

