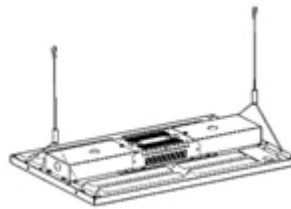


#### WARNINGS

- Please read and follow all safety instruction. Instructions must be shared and acknowledged by all persons providing installation services.
- Service and installation must be provided by a licensed and qualified electrical professional.
- Before performing service or installation, shut off the power at the service panel.
- Ground the fixture and power supply (if applicable.)
- Install only in accordance with the National Electrical Code and local electrical codes.
- Supplied power must be compliant with the voltage and frequency specified in the power supply.
- Supplied power must be delivered to the fixture using plenum rated wire.
- If applicable, adhere to all safety precautions included in the instructions for battery backup and sensor installation.

#### Toggle Mount

1. Loop cable around ceiling attachment point.
2. Insert toggles into fixture ends, securing cross cables.
3. Install grippers on cross tables.
4. Insert loose end of loop into gripper, set to height.



#### V-Hook Mount

1. Remove end caps and rotate V-hooks into place.
2. Replace end caps.



#### Hanging Bracket Mount

1. Install bracket directly into junction box in ceiling.
2. Snap brackets onto the back of the fixture, secure with screws.
3. Wire fixture and install the side covers.



#### Surface Mount & Hook

1. Snap bracket onto the back of the fixture and secure with screws.
2. Install the bracket side covers.



#### ADDITIONAL BATTERY BACKUP INFO TESTING AND MAINTENANCE

Pressing the **TBTS** turns on the light on the **TBTS** and forces the unit into emergency mode, interrupting power to the designated A.C. driver. The LED load is now being lit by the **ILB** unit. After releasing the **TBTS**, the fixture returns to normal operation after a momentary delay. To simulate a "BLACK OUT," use the circuit breaker to turn off A.C. power.

**Initial Testing** – Allow the unit to charge approximately 1 hour, then conduct a short discharge test. Allow a 24-hour charge before conducting a one-hour test.

The **ILB** is a maintenance-free unit, however, periodic inspection and testing is required. NFPA 101, Life Safety Code, outlines the following schedule:

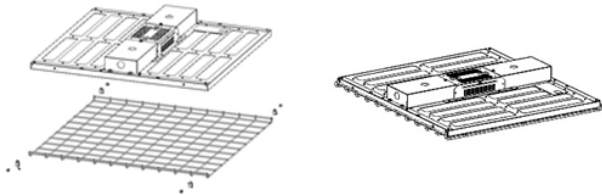
**Monthly** – Ensure that the **TBTS** light is illuminated. Conduct a 30-second discharge test by depressing the **TBTS**. At least one LED should operate at reduced output.

**Annually** – Ensure that the **TBTS** light is illuminated. Conduct a full 90-minute discharge test. The unit should operate as intended for the duration of the test.

"Written records of testing shall be kept by the owner for inspection by the authority having jurisdiction."

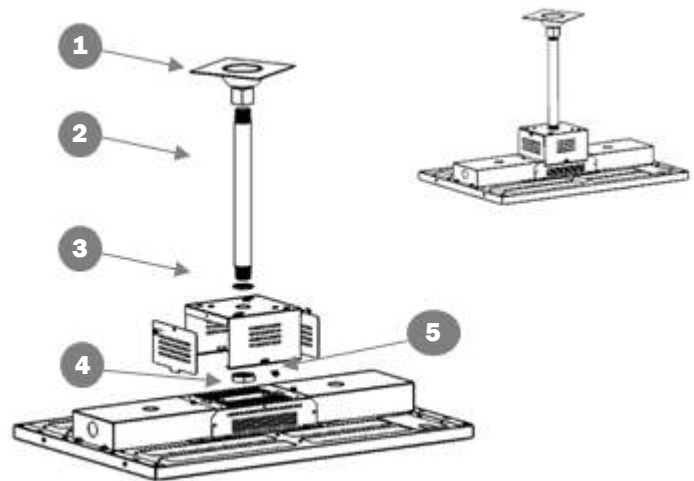
### Wire Guard Assembly

1. Install clips on the outside of the wire guard.
2. Screw clips into holes in end rails.



### V-Hook Mount

1. Install swivel into junction box and pass wires through.
2. Install contractor-supplied pipe.
3. Install electrical nut.
4. Secure hanging bracket by tightening pipe nut.
5. Snap bracket back onto the fixture and secure with screws.
6. Wire fixture and install end covers.



### Electrical Connections (Standard)

1. Ensure power to circuit is shut off.
2. Remove the end cap on the side of the fixture with the label.
3. Make electrical connection for ground, line and load.
4. Replace end cap.
5. Restore power to electrical circuit.

### Electrical Connections (Battery Backup)

1. Ensure power to circuit is shut off.
2. Remove the end cap on the side of the fixture with the label.
3. Make electrical connection for ground, neutral, constant line and switched line.
  - A. The switched power and constant power MUST be on the same branch circuit.
  - B. When the install is complete, switch the A.C. power on and join the ILB unit connector.
4. Replace end cap.
5. Restore power to electrical circuit.