



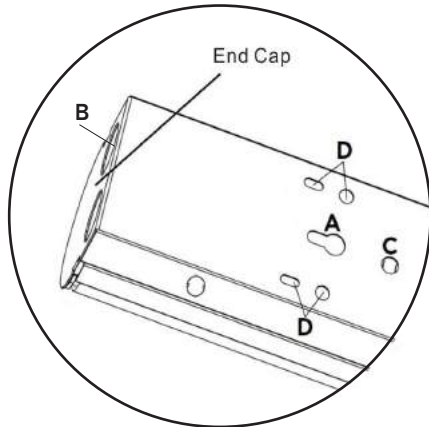
### Short Specification:

The Colt LED Strip is here to bring simplicity, efficiency and an unmatched level of sophistication into your space. This LED offers surface mount or suspended installation which makes it a breeze to install, and it can reduce energy consumption by up to 60%. Contact your LouversLED representative today for more information.



MODEL NUMBER	DESCRIPTION	WATTS	LUMENS	Dimensions (LxWxD)
LI-ZY-ST4FT40 (4000K)	4 ft. 40W Colt LED Strip, 4K	40	5,389	48" x 3.35" x 3.56"
LI-ZY-ST4FT40 (5000K)	4 ft. 40W Colt LED Strip, 5K	40	5,399	48" x 3.35" x 3.56"
LI-ZY-ST8FT60 (4000K)^	8 ft. 60W Colt LED Strip, 4K	60	8,280	95.9" x 3.35" x 3.62"
LI-ZY-ST8FT60 (5000K)^	8 ft. 60W Colt LED Strip, 5K	60	8,400	95.9" x 3.35" x 3.62"

^Not DLC listed. Please check [www.designlights.org/QPL](http://www.designlights.org/QPL) for full list of qualified fixtures. Additional lumen packages and color temperatures available - special order.



### Standard Mounting Configurations

- A - Keyhole Slots for Surface Mounting
- B - Wiring Knock-Outs
- C - T Bar Clip Mounting Hole
- D - V-hook Openings for Chain Mounting

### Applications:

- Commercial
- Corridor
- Garages
- Offices
- Retail displays
- Stairwells and passageways
- Task lighting
- Warehouses
- Work bench

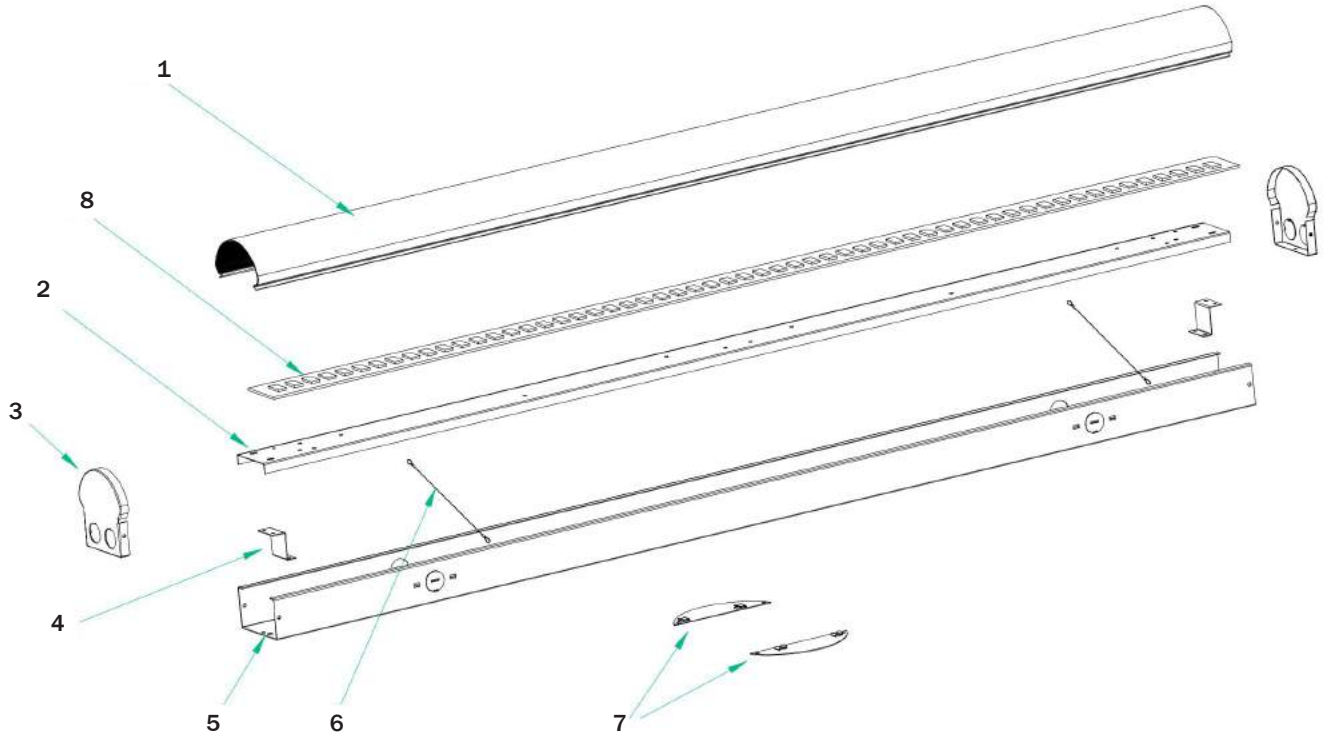
### Features:

- DLC listed (check QPL for models)
- UL listed
- FCC compliant
- Polycarbonate diffused lens
- Contains no glass or mercury
- Easy to install; contractor friendly
- Includes 3 ft. chains and V-hooks
- Multiple hanging options available
- Multiple sensor options available
- 100-277V
- >120 lm/W
- CRI: >80
- 4,000K or 5,000K color temperatures (custom colors also available)
- Operating temp: -4° F to 104° F
- 0 to 10V dimming
- 5 year limited warranty

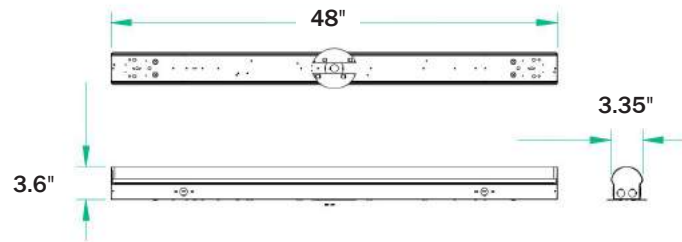


# COLT Lensed LED Strip

## Dimensions:



#	DESCRIPTION
1	Diffuser
2	Heat Sink Plate
3	Endcap
4	Support Plate
5	Housing
6	Internal Suspension Cable
7	Junction Box Cover
8	LED Board



\*Length of LI-ZY-ST8FT60 is 95.9"

## Dimming Connection:

