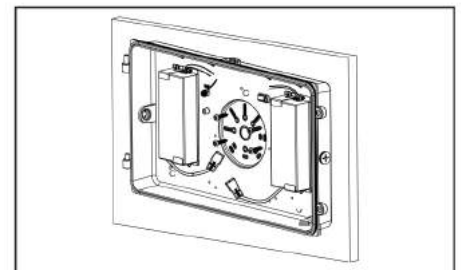
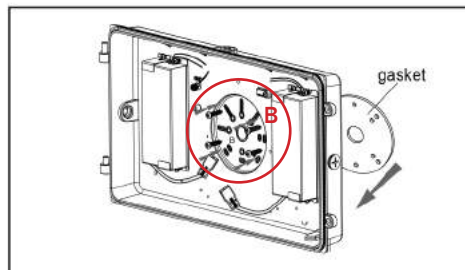
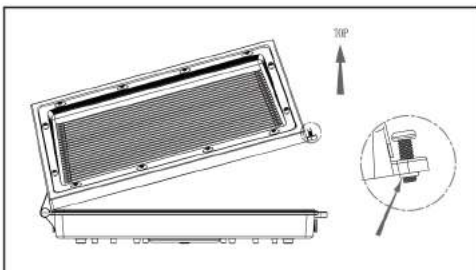


WARNINGS: IMPORTANT SAFETY INSTRUCTIONS

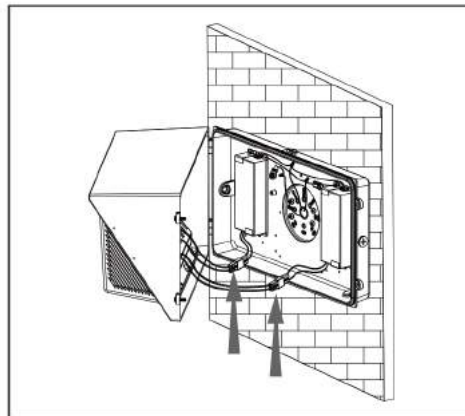
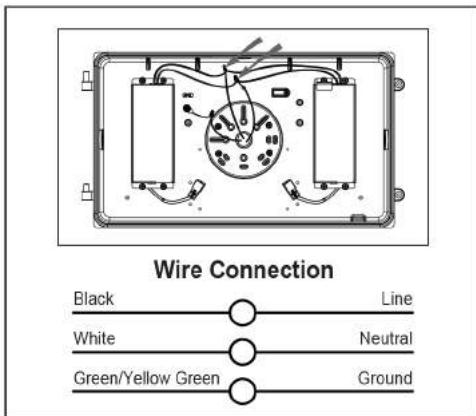
1. To avoid electric shock, disconnect the power at source prior to installation.
2. The installation should be performed by a qualified electrician or lighting technician.
3. Before conducting any installation, maintenance or removal, disable all power to the luminaires and wait for the fixture to cool down.
4. Do not touch the fixture while it is in service.
5. If there is any problem with the fixture, PLEASE turn off the power and DO NOT attempt to repair unless you are a qualified technician or the customer service member.

JUNCTION BOX MOUNTING

1. Loosen screws and remove the lens set carefully from the backplate.
2. Drill appropriate knockouts (B) for wiring. The fixture supports standard 3 1/4" and 4" junction box.
3. Attach the back plate on the wall. Use the supplied gaskets for a weather-tight seal.



4. Finish wiring (BLACK for LINE, WHITE for NEUTRAL and GREEN/YELLOW GREEN for GROUND).
5. Replace the lens on the hinges, make connections and close the lens set. Then, tighten the screws.



CONDUIT MOUNTING

1. Loosen screws and remove the lens set carefully from the backplate. (See step 1 under "Junction Box Mounting.")
2. Remove ½" plug from where you intend to feed conduit.
3. Drill the holes (C) to secure the fixture onto the wall, and screw in appropriate screws.
4. Finish wiring (BLACK for LINE, WHITE for NEUTRAL and GREEN/GREEN YELLOW for GROUND. (See step 4 under "Junction Box Mounting.")
5. Replace the lens set on the hinge and finish the connection. Close the lens set and tighten the screws to fasten the lens onto the back plate.

