

### Short Specification:

The Hercules LED High Lumen Area Light is the real MVP in LED lighting. Its dynamic design makes it cost-efficient and more reliable than conventional lighting products. All models are 90/305V and there are multiple mounting options available based on your needs. Whether you're charging down the football field or landing a plane, the Hercules LED is here to light the way. Contact your Louvers sales representative today for more information.



MODEL	DESCRIPTION	WATTS Model (Actual)	LUMENS
LHL080	80W Hercules LED	80 (90)	7,000
LHL100	100W Hercules LED	100 (110)	10,000
LHL200	200W Hercules LED	200 (222.9)	20,217
LHL300	300W Hercules LED	300 (330)	30,000
LHL400	400W Hercules LED	400 (445.3)	39,205
LHL500	500W Hercules LED	500 (550)	50,000
LHL600	600W Hercules LED	600 (613.8)	53,887

\*Wattage and lumen values based on testing of 5,000K CCT models



### Applications:

- Car Dealerships
- Driving Ranges
- Fields
- General Area Illumination
- Sports Parks
- Tarmacs



### Features:

- cETLus certified
- RoHS certified
- IDA certified
- Proprietary thermal management is designed to ensure low LED junction temperatures
- Body is made of a rust-free aluminum alloy
- Modular design
- Mercury-free
- Instant on light
- 3D vibration tested
- 4,000K to 7,000K color temperatures
- IP40/IP65 rating options
- Luminous flux up to 60,000 Lm
- 100Lm/W
- Operating temp: -40°C to +45°C
- L70 at 50,000 hours
- 5 year limited warranty

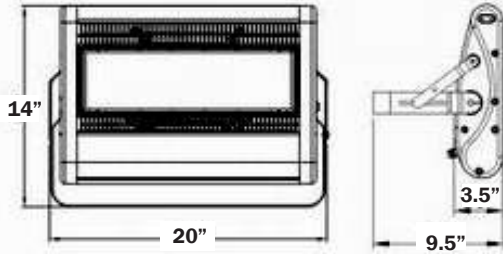


# HERCULES LED High Lumen Area Light

## Dimensions/ Weights:

## Photometrics:

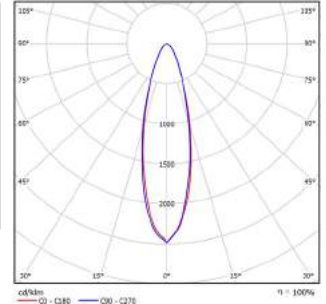
### 80 W



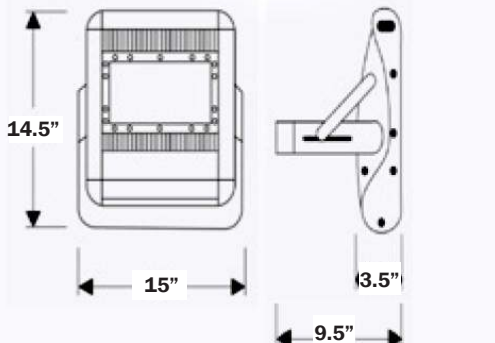
Weight: 10 lbs.

FT.	LUM.	$\Phi$ (ft)
13	166.0	6.8
20	73.8	10.5
26	41.4	13.8
33	26.6	17.4

BEAM ANGLE = 30X30 DEGREES



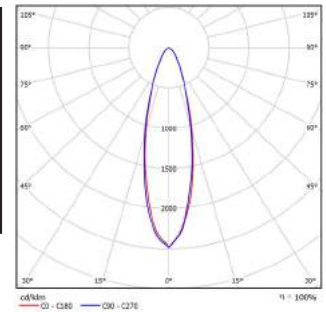
### 100 W



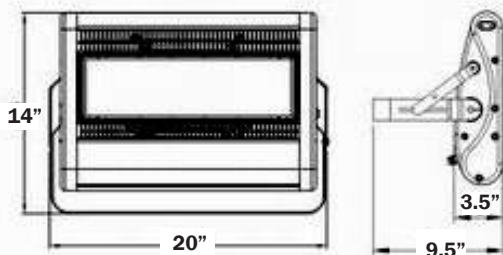
Weight: 12 lbs.

FT.	LUM.	$\Phi$ (ft)
13	188.7	6.8
20	83.9	10.5
26	47.2	13.8
33	30.2	17.4

BEAM ANGLE = 30X30 DEGREES



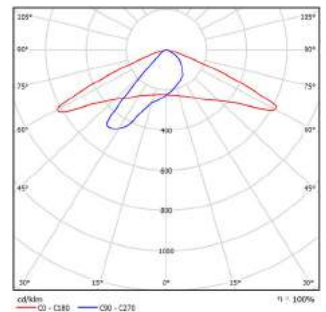
### 200 W



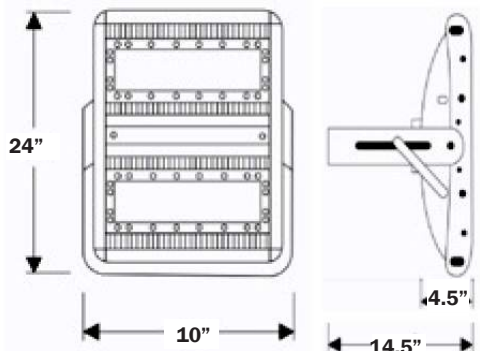
Weight: 17 lbs.

FT.	LUM.	W/L (ft)
13	119.6	3.6/31.5
20	29.8	7.3/63.3
26	13.3	11/94.9
33	7.4	15/126

BEAM ANGLE = 85X135 DEGREES



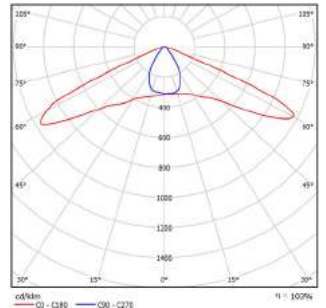
### 300 W



Weight: 32 lbs.

FT.	LUM.	W/L (ft)
13	163.0	3.6/31.5
20	40.7	7.3/63.3
26	18.1	11/94.9
33	10.1	15/126

BEAM ANGLE = 85X135 DEGREES

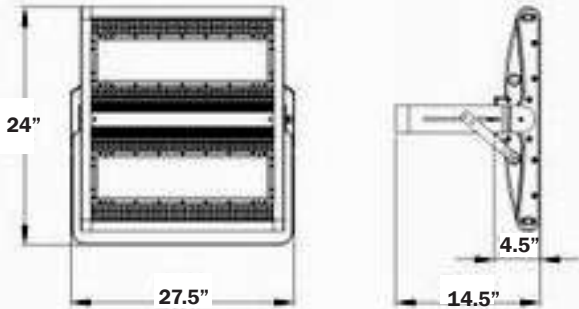


# HERCULES LED High Lumen Area Light

## Dimensions/ Weights:

## Photometrics:

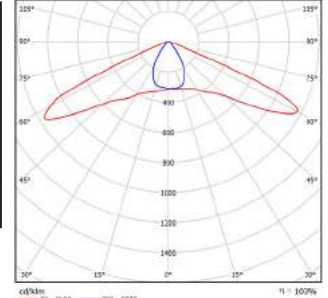
### 400 W



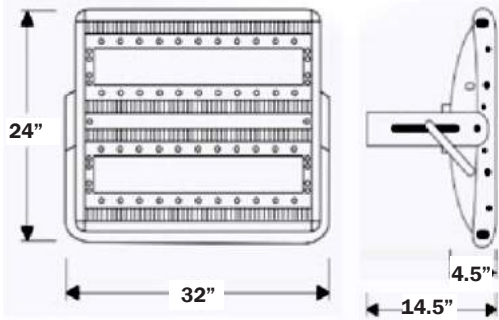
Weight: 34 lbs.

FT.	LUM.	W/L (ft)
13	239.1	3.6/31.5
20	59.8	7.3/63.3
26	26.6	11/94.9
33	14.9	15/126

BEAM ANGLE = 85X135 DEGREES



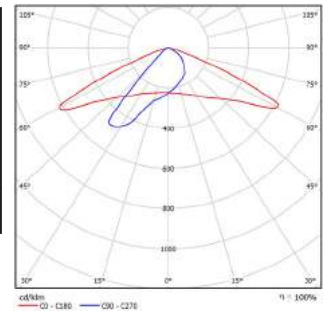
### 500 W



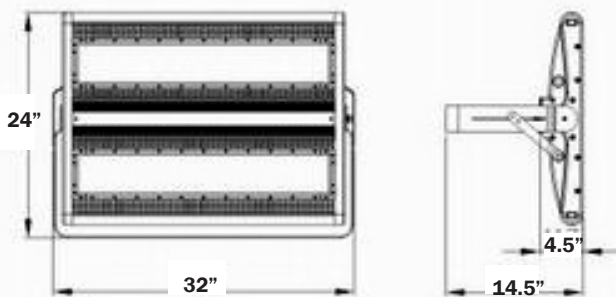
Weight: 49 lbs.

FT.	LUM.	W/L (ft)
13	260.9	3.6/31.5
20	65.2	7.3/63.3
26	28.9	11/94.9
33	16.2	15/126

BEAM ANGLE = 85X135 DEGREES



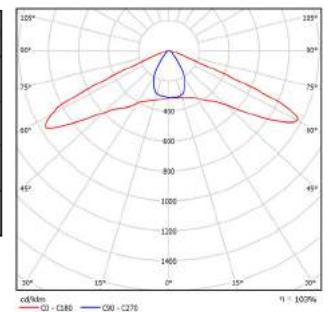
### 600 W



Weight: 50 lbs.

FT.	LUM.	W/L (ft)
13	358.7	3.6/31.5
20	89.6	7.3/63.3
26	39.9	11/94.9
33	22.3	15/126

BEAM ANGLE = 85X135 DEGREES



## Comparison Chart:

HERCULES MODEL	METAL HALIDE MODEL
80W	150W
100W	250W
200W	400W
300W	750W
400W	1000W
600W	1500W



HERCULES MODEL

VS.



METAL HALIDE MODEL

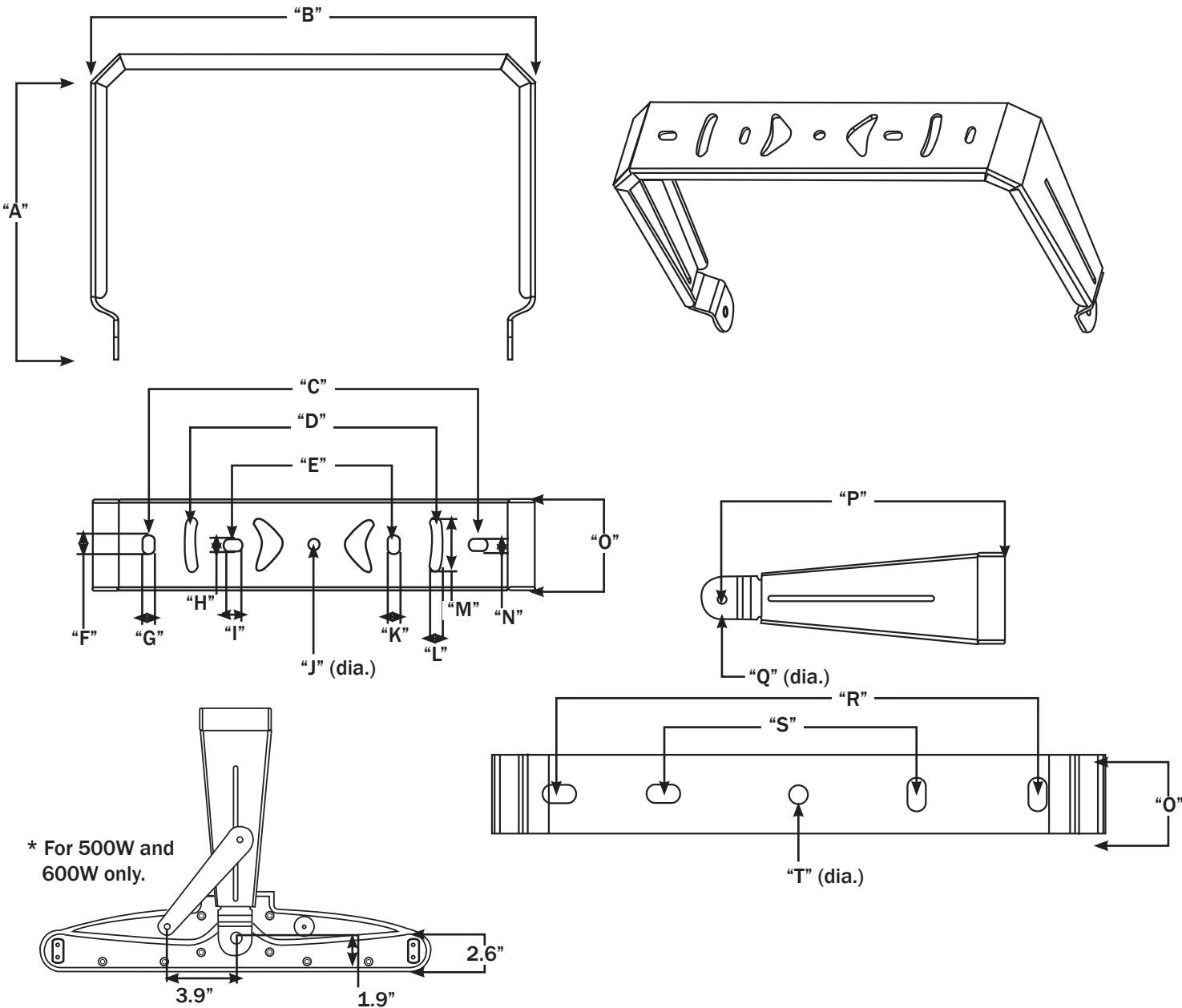
### EPA (EFFECTED PROJECTED AREA)

MODEL	WATT	SQUARE FEET
LHL080	80	1.0921
LHL100	100	1.0921
LHL200	200	1.4617
LHL300	300	2.4960
LHL400	400	2.8114
LHL500	500	4.0864
LHL600	600	4.0864

# HERCULES

## LED High Lumen Area Light

### Mounting Option Dimensions:

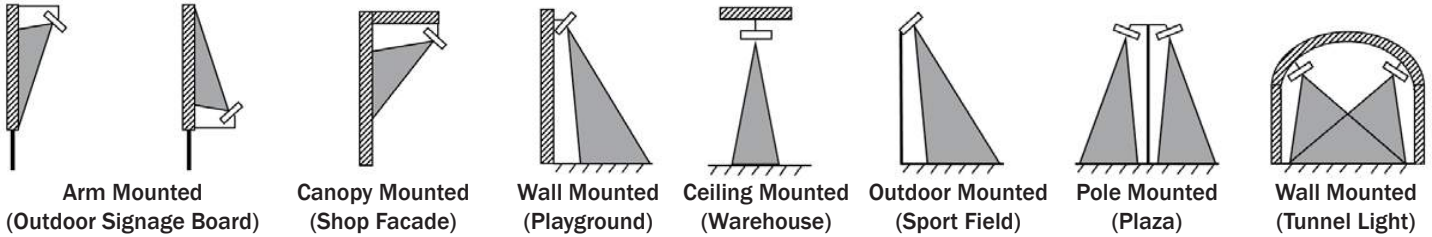


MODEL	"A" (in.)	"B" (in.)	"C" (in.)	"D" (in.)	"E" (in.)	"F" (in.)	"G" (in.)	"H" (in.)	"I" (in.)	"J" (in.)	"K" (in.)	"L" (in.)	"M" (in.)	"N" (in.)	"O" (in.)	"P" (in.)	"Q" (in.)	"R" (in.)	"S" (in.)	"T" (in.)
LHL080	N/A	N/A	N/A	N/A	N/A	N/A	N/A	N/A	N/A	N/A	N/A	N/A	N/A	N/A	1.97	N/A	N/A	11.8	N/A	0.43
LHL100	N/A	N/A	N/A	N/A	N/A	N/A	N/A	N/A	N/A	N/A	N/A	N/A	N/A	N/A	1.97	N/A	N/A	11.8	N/A	0.43
LHL200	N/A	N/A	N/A	N/A	N/A	N/A	N/A	N/A	N/A	N/A	N/A	N/A	N/A	N/A	1.97	N/A	N/A	16.5	7.87	0.43
LHL300	N/A	N/A	N/A	N/A	N/A	N/A	N/A	N/A	N/A	N/A	N/A	N/A	N/A	N/A	1.97	N/A	N/A	18.9	11.8	0.43
LHL400	14.2	23.0	17.3	14.2	7.87	0.91	0.52	0.52	0.91	0.52	0.52	0.58	2.52	0.52	4.25	13.2	0.41	N/A	N/A	N/A
LHL500	15.2	32.8	27.6	24.1	13.8	0.91	0.52	0.91	0.91	0.52	0.52	0.55	2.52	0.91	4.25	N/A	N/A	N/A	N/A	N/A
LHL600	15.2	32.8	27.6	24.1	13.8	0.91	0.52	0.91	0.91	0.52	0.52	0.55	2.52	0.91	4.25	N/A	N/A	N/A	N/A	N/A

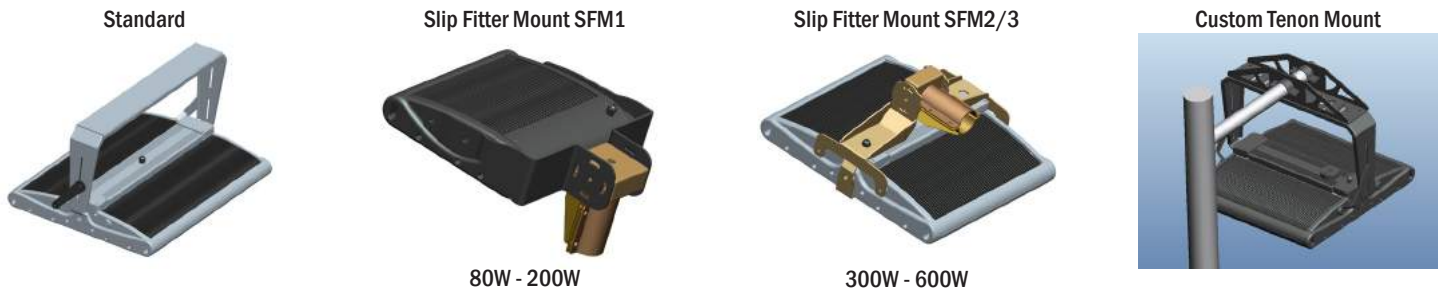
# HERCULES

## LED High Lumen Area Light

### Installation Configuration Schematics:



### Mounting Options Accessories:



### Ordering Information:

PRODUCT	COLOR TEMP	VOLTAGE	LENS TYPE	FINISH	BEAM ANGLE (°)	MOUNTING	ACCESS.
<b>LHL080</b>	4K - 4,000 K	U - 120/277V	CTG - Clear	BL - Black	1 - 15X15	<b>S</b> - Standard	<b>N</b> - None
<b>LHL100</b>	5K - 5,000 K	HV1 - 347/480V*	Tempered Glass	Custom^	2 - 30X30	<b>SFM1</b> - 2 3/8"	<b>O</b> - 0 to 10V
<b>LHL200</b>	6K - 6,000 K	HV2 - 347/480V**	DTG - Diffused		3 - 40X40	Slip Fitter*	Dimming
<b>LHL300</b>	7K - 7,000 K		Tempered Glass		<b>4</b> - 60X60	<b>SFM2</b> - 2 3/8"	<b>PC</b> - Photocell
<b>LHL400</b>					5 - 60X135	Slip Fitter**	<b>WC</b> - Wireless
<b>LHL500</b>					6 - 85X135	<b>SFM3</b> - 2 3/8"	Controls^
<b>LHL600</b>					Custom^	Slip Fitter***	
		* For 400W to 600W models				* For 80W to 200W models	
	^ Others Available; Consult Factory	* For 400W to 600W models		^ Consult Factory	^ Consult Factory	** For 300W and 400W models	
						** For 5000W and 600W models	

Indicates most widely used fixture

Sample Part Number: LHL400-5K-U-CTG-BL-4-S-N