

Short Specification:

Even with the development of the modern aesthetic in LED fixtures, some people still prefer the look of traditional metal halides. Louvers LED has listened to the customer demand and we've developed an LED platform that delivers state-of-the-art efficient lighting with the look of a traditional 400W metal halide. We've added a visually appealing frosted LED reflector to bring this classic into the modern world. For more information on this new classic, contact your Louvers LED representative today.



MVN115 with Frosted Plastic Reflector

MODEL	DESCRIPTION	WATTS (Actual)	LUMENS	VOLTS
MVN115	115W Maven LED High Bay	115 (115.9)	14,825.06	120-277V
MVN210	210W Maven LED High Bay	210 (208.45)	26,809.01	120-277V



MVN210 MVN115
(Light Engines Pictured)

Applications:

- Airplane Hangars
- Auditoriums
- Barns and Farms
- Factories
- Gymnasiums
- Industrial Spaces
- Retail Stores
- Sports Arenas
- Storage Areas
- Warehouses

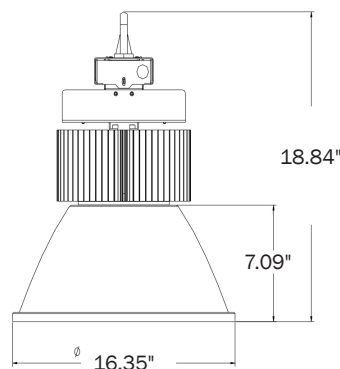
Features:

- DLC listed
- IP65 rated
- Class 2 Power Supply
- Hook or pendant mount
- 0 to 10V dimming is standard
- 127.89 lm/W (MVN115)
- 128.61 lm/W (MVN210)
- CRI: 83 (MVN115) and CRI: 84 (MVN210)
- 5,000K CCT
- Operating Temp: -13° F to +104° F
- L70 at 50,000 hours
- 5 year limited warranty

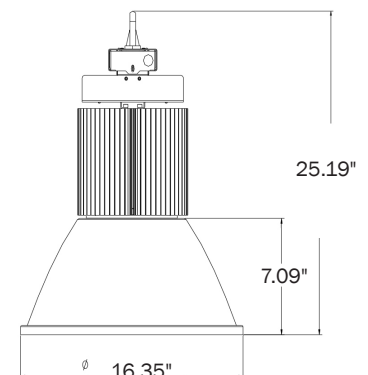


Dimensions

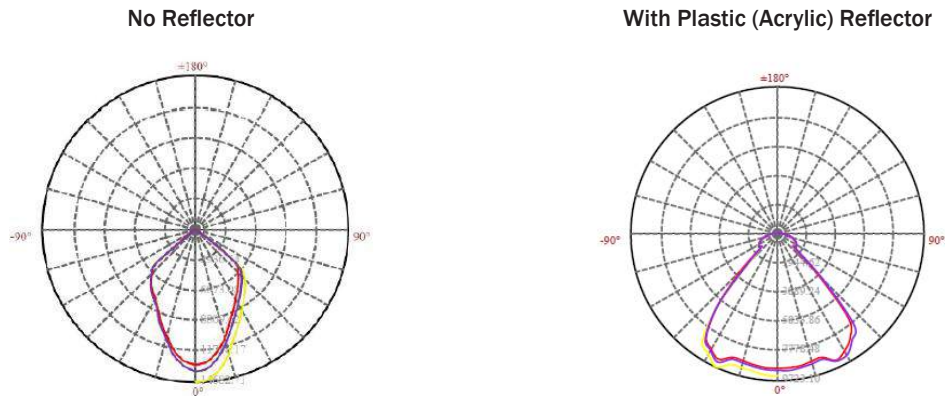
MVN115



MVN210



Photometric Data:



The plastic (acrylic) reflector produces a distribution more favorable to general high bay applications by providing a wider distribution requiring less luminaires for uniform lighting of the space.

Accessories:



Frosted Plastic Reflector



Ordering Information:

MODEL	VOLTAGE	COLOR TEMP	REFLECTOR	REFLECTOR FINISH	REFLECTOR SIZE
MVN115 MVN210	U - 120-277V	5K - 5,000 K	P - Plastic	F - Frosted	16 - 16"

DLC Part Numbers: MVN115-U-5K-PF-16
MVN210-U-5K-PF-16

Maven Reflector Accessories Ordering Chart

MVN115 - 16" Reflector Accessories
MVN-DFA16 - 16" Frosted Acrylic Drop Lens
MVN-FFA16 - 16" Flat Frosted Acrylic Bottom Lens
MVN-FWP16 - 16" Flat Window Clear Polycarbonate Bottom Lens
MVN-WG16 - 16" Bottom Wire Guard
LI-DD-CB-805227 - 16" Clamp Band (Needed for attaching lens)

*Specify hook or pendant mount when ordering.