



### Short Specification:

The LouversLED series of LED luminaires was designed and built with high performance, efficiency and cost effectiveness in mind. This fixture may look like any other traditional wall pack, but one should never judge a book by its cover. The inside is where the magic happens. The LEDs are housed in a sealed compartment separate from the drivers to keep them cool. A bubble level is built in and a gasket is included to ensure proper and simple installation. The unit as a whole is lightweight but extremely durable. This is the best value wall pack available anywhere!



BASE MODEL NUMBER	WATTS AT 5K	LUMENS AT 5K	SIZE	HID REPLACEMENT RANGE
LI-WPF45W	45	4,900	Medium	175W - 250W
LI-WPF70W	70	7,350	Medium	250W - 400W
LI-WPF90W	90	9,500	Large	320W - 400W
LI-WPF135W	135	14,000	Large	400W+

\*All models are DLC Listed. For a complete list of DLC listed fixtures, visit [www.designlights.org/QPL](http://www.designlights.org/QPL)



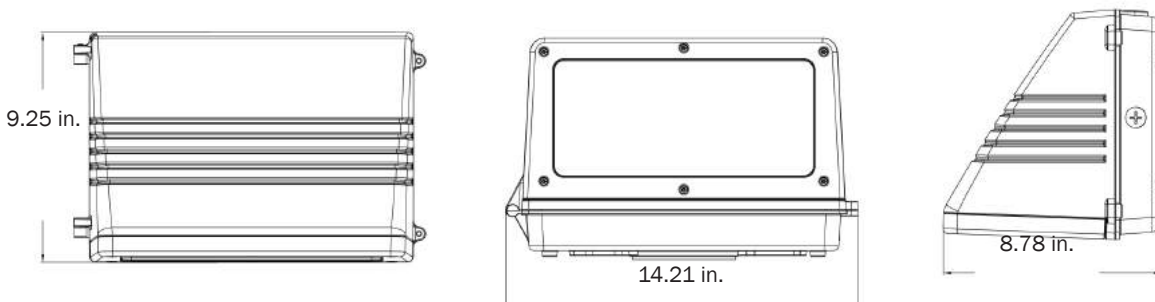
### Applications:

- Building exteriors
- Entryways and walkways
- Parking lots
- Security and perimeter lighting

### Features:

- DLC Listed (Check QPL for models)
- cULus Listed (UL 746C)
- Die-cast aluminum body
- Dark Sky Compliant
- Type 3 polycarbonate optical lens contains UV stabilizers
- Easy to install; contractor friendly
- Built-in level
- Quick disconnect and hinges
- Custom designed heat sink
- External gasket
- Optional photocell
- Wet location rated (IP65)
- CRI: >82
- Operating temp: -40 °C to +40 °C
- 5 year limited warranty
- 120/277V

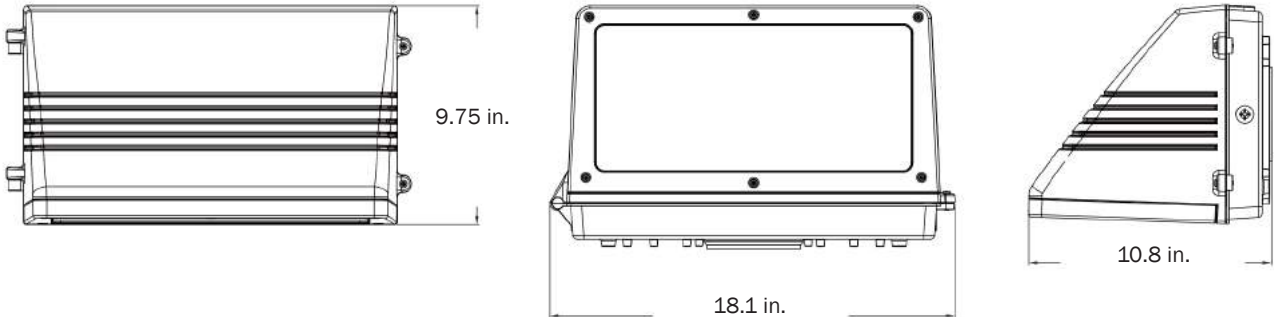
### Dimensions for Medium (LI-WPF45W & LI-WPF70W)



# TALON

## Full Cutoff Wall Packs

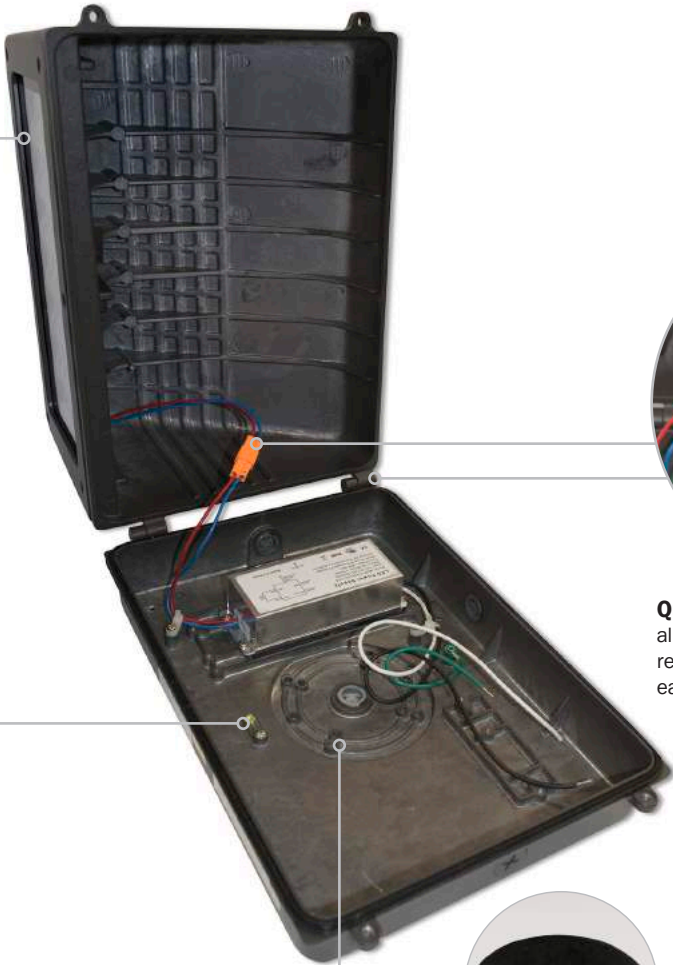
### Dimensions for Large (LI-WPF90W & LI-WPF135W)



### Expanded View of Features:



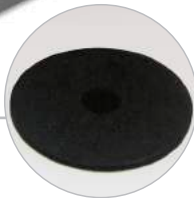
**(REVERSE)**  
**LED compartment** is separate from driver compartment. This facilitates optimal heat control.



**Quick disconnect and hinges** allow LED compartment to be completely removed from the fixture for quick and easy installation.



**Built-in level** allows for an easy installation. Wago connectors allow for quick power connection.

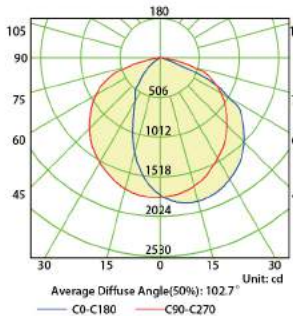


**Gasket** used to seal the fixture from the outside during installation.

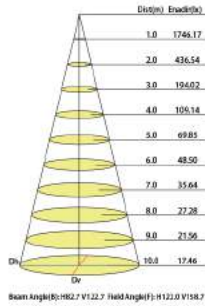
### Photometrics:

LI-WPF45W27V40KD

Luminous Intensity Distribution Curve

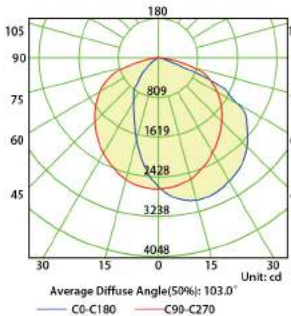


Illuminance at a Distance

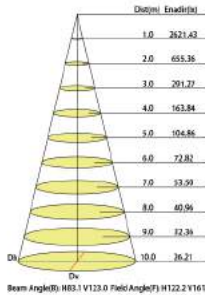


LI-WPF70W27V40KD

Luminous Intensity Distribution Curve

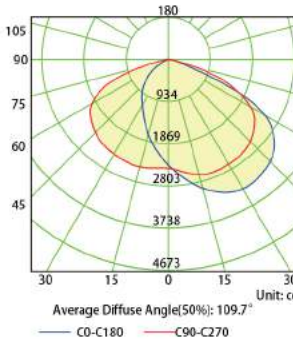


Illuminance at a Distance

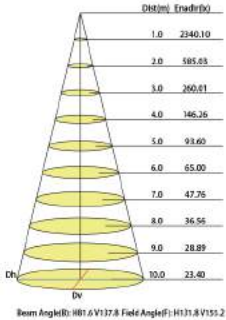


LI-WPF90W27V40KD

Luminous Intensity Distribution Curve

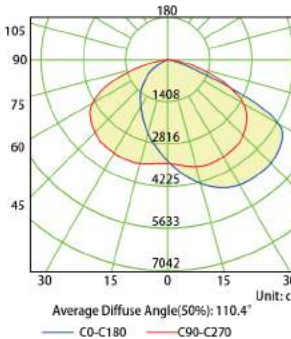


Illuminance at a Distance

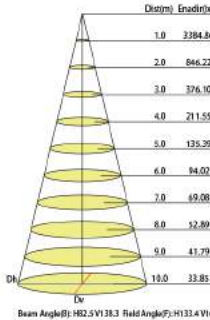


LI-WPF135W27V40KD

Luminous Intensity Distribution Curve



Illuminance at a Distance



### Ordering Information:

PRODUCT	COLOR TEMP	HOUSING FINISH	PHOTOCELL OPTIONS
LI-WPF45W27V - 45W Talon Full Cutoff Wall Pack LED	40K - 4,000K	W - White*	{Leave Blank} - No Photocell
LI-WPF70W27V - 70W Talon Full Cutoff Wall Pack LED	50K - 5,000K	B - Black*	P2 - 120/277V Photocell
LI-WPF90W27V - 90W Talon Full Cutoff Wall Pack LED		D - Dark Bronze	
LI-WPF135W27V - 135W Talon Full Cutoff Wall Pack LED		*Custom colors	

Indicates most common fixture

Sample Part Number: LI-WPF135W27V50KD

Remarks:

The "XX" in the part numbers listed on QPL denote color temperature which can be "40K" or "50K".  
 First "Y" denotes housing finish which can be "W" for white, "B" for black or "D" for dark bronze.  
 Second "Y" denotes Photocell options which can be left blank for excluded photocell or "P2" for 120/277V photocell.