

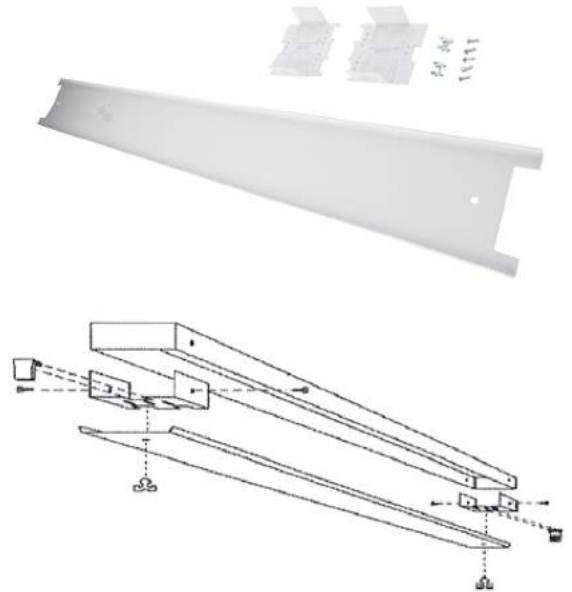


Short Specification:

Louvers International's Retrofit Ballast Cover Kits (RBC) are used to convert 4' and 8' T12 and T8 lamp fixtures resulting in substantial energy savings, improved lighting, and excellent return on investments. These kits, in conjunction with several ballast and lamp configurations, can easily produce ideal IES recommended light levels with minimized energy consumption. Our kits will continue to provide consistent fixture performance and repeat annual energy savings for many years to come. Add the flexibility of our bracketing system and the RBC kit will allow for proper fit in almost any application.

Features:

- Proudly designed, made and manufactured in the U.S.A.
- Utility rebate-friendly throughout the U.S.A.
- Designed to meet UL 1598B specifications
- Flexibility for tandem wiring applications
- Locking lamp holder notches
- UL classified tool-less ballast covers – quarter turn
- 1 to 4 lamp options available
- Aluminum components generate a rust-free approach to less maintenance and lasting appeal

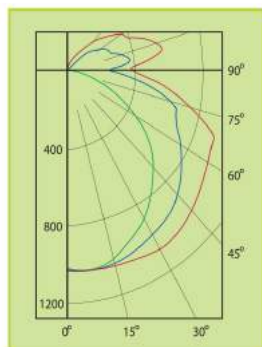


Ordering Chart:

SERIES	SIZE	BRACKET COLOR	LAMP HOLDERS
RBC – Retrfit Ballast Cover Kit	4 = 4' Section	N - Narrow Cover (4.3")	T5 = T5
	8 = (2) 4' Sections	U - Universal Cover (5.25")	T8 = T8

Quick, Safe and Labor Efficient

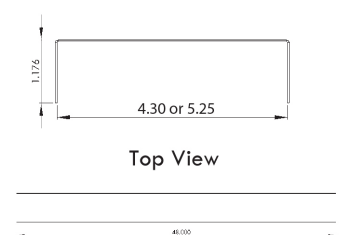
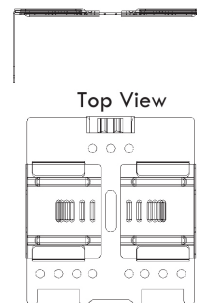
- Streamlined packaging for easy job site management
- Snap-in lamp holders won't fall out during overheat installation
- With one third the weight of steel, aluminum components permit reduced shipping cost and simpler installation.



0° — Candala Plot
45° —
90° — 2 Lamp T8

Zonal Lumen Summary

Zone	Lumens	% Lamp	% Luminaire
0-30	852	14.4	15.6
0-40	1450	24.6	26.6
0-60	2838	48.1	52.1
0-90	4407	74.7	80.9
0-180	5447.7	92.3	100.0



RETROFIT BALLAST COVER (RBC)

4' & 8' Industrial Cover Kits

Standard RBC - 4 Kit Includes:

- (1) 4' white-painted aluminum ballast cover (4.3" or 5.25")
- (2) reversible white-painted aluminum brackets adjustable to any channel size between 4.0" and 5.25"
- (4) specified shunted or unshunted high quality chemical resistant, thermoplastic bodied, UL-approved lamp holders
- (2) quarter turns
- (5) TEK screws

Standard RBC - 8 Kit Includes:

- (2) 4' white-painted aluminum ballast cover (4.3" or 5.25")
- (4) reversible white-painted aluminum brackets adjustable to any channel size between 4.0" and 5.25"
- (8) specified shunted or unshunted high quality chemical resistant, thermoplastic bodied, UL-approved lamp holders
- (4) quarter turns
- (10) TEK screws

