

Short Specification:

The Skylark LED Troffer features a frosted lens to reduce glare. It provides both convenience and versatility while maintaining a simple and clean aesthetic. Its superior heat management makes it an energy-efficient fixture that is easy to install and maintain. Contact your Louvers International sales representative today to make the Skylark LED Troffer the solution to your lighting needs.



MODEL	DESCRIPTION	WATTS Model (Actual)	LUMENS	VOLTS
SKY14-35-35K	Skylark 35W, 35K 1' x 4' LED Troffer	35 (35.01)	3,538.69	120/277
SKY14-35-4K	Skylark 35W, 4K 1' x 4' LED Troffer	35 (34.04)	3,684.84	120/277
SKY22-35-35K	Skylark 35W, 35K 2' x 2' LED Troffer	35 (35.7)	3,609.74	120/277
SKY22-35-4K	Skylark 35W, 4K 2' x 2' LED Troffer	35 (36.14)	3,787.71	120/277
SKY24-50-35K	Skylark 50W, 35K 2' x 4' LED Troffer	50 (49.57)	5,155.78	120/277
SKY24-50-4K	Skylark 50W, 4K 2' x 4' LED Troffer	50 (49.56)	5,366.8	120/277



Skylark 1' x 4' LED Troffer



Skylark 2' x 4' LED Troffer

Application:

- Healthcare Facilities
- Indoor Area Lighting
- Offices
- Warehouses
- Workshops

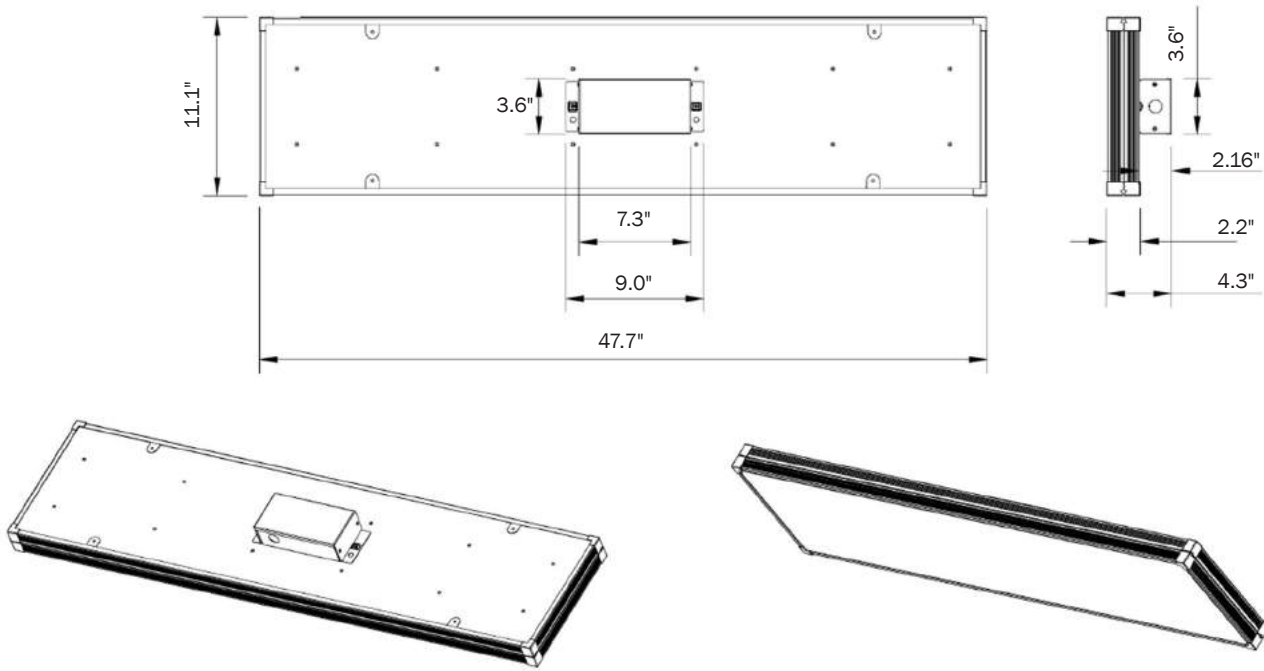
Features:

- DLC listed
- UL Listed
- FCC Compliant
- RoHS Compliant
- Frosted diffuser to reduce glare
- Instant on to full brightness
- Energy efficient
- High efficacy at 100 lumens per watt
- Lowers maintenance costs
- Lightweight for easy installation
- Suitable for damp locations
- 120/277V
- 3,500K and 4,000K color temperatures
- CRI: >80
- 0 to 10V dimming
- L70 greater than 60,000 hours
- 7 year limited warranty

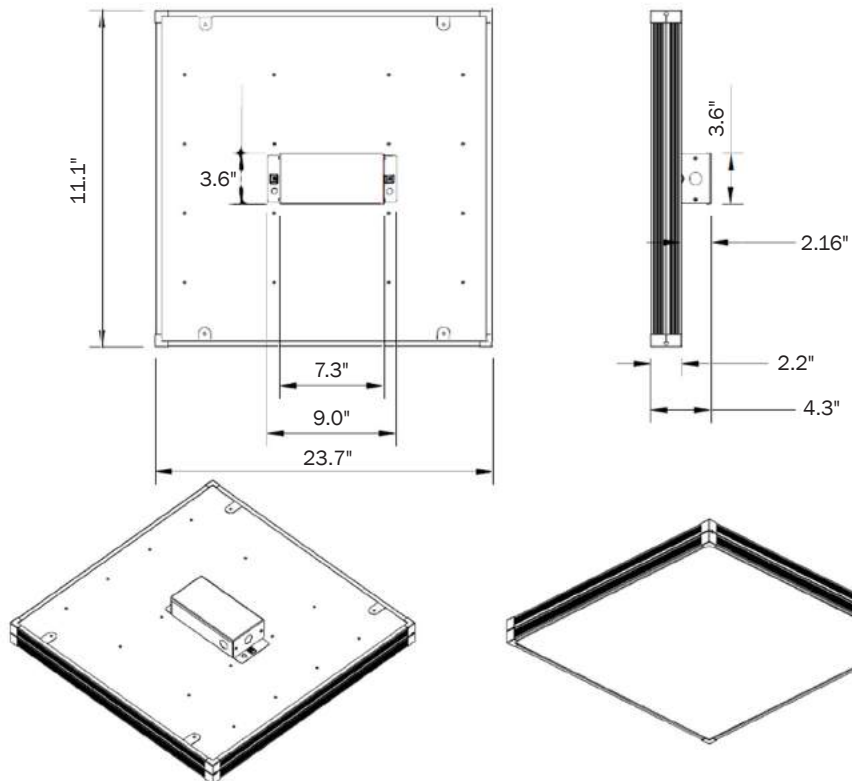


Photometrics:

Skylark 1' x 4' LED Troffer

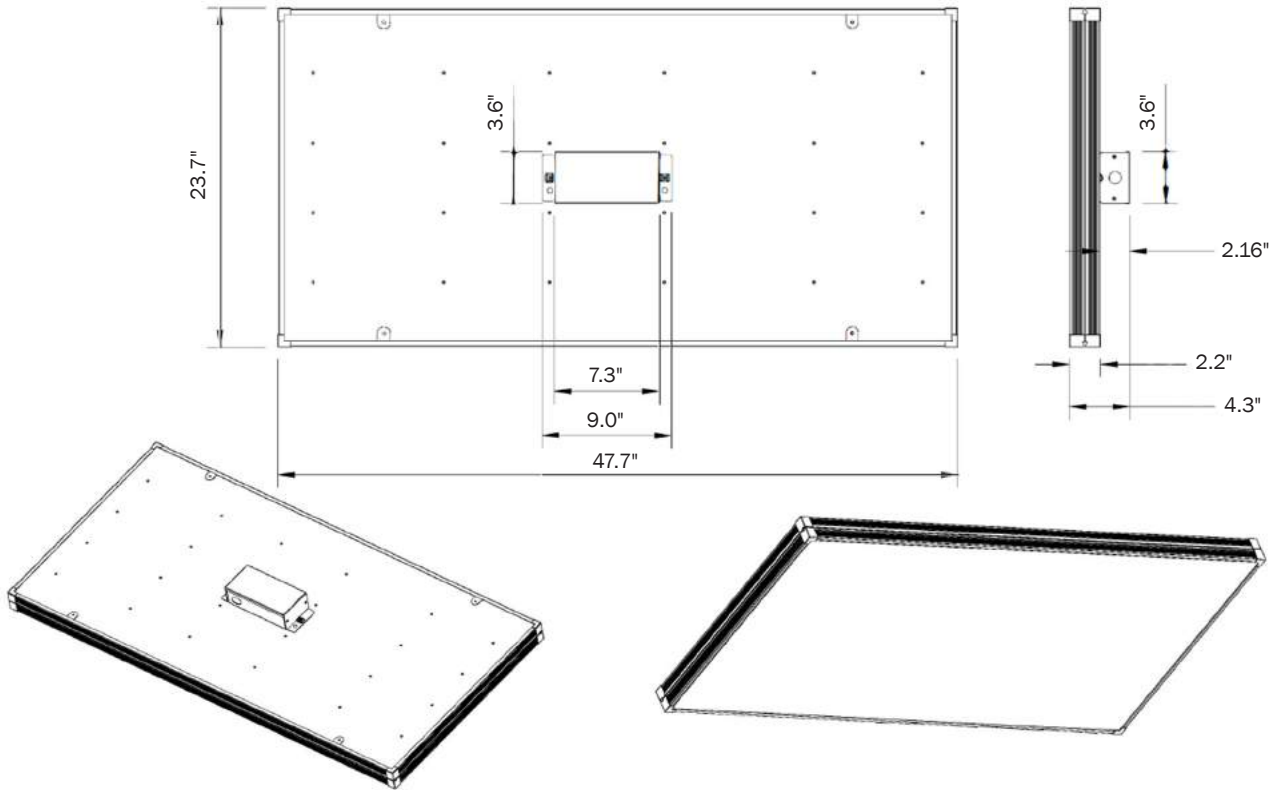


Skylark 2' x 2' LED Troffer

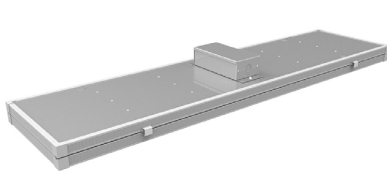


Photometrics:

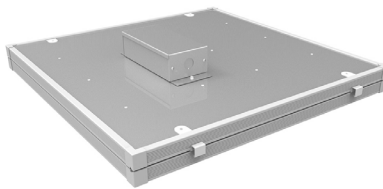
Skylark 2' x 4' LED Troffer



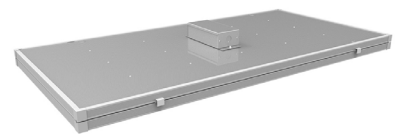
Top View:



Skylark 1' x 4' LED Troffer



Skylark 2' x 2' LED Troffer



Skylark 2' x 4' LED Troffer



Ordering Information:

--	--	--	--	--	--

PRODUCT SERIES Watts (Lumens; CCT)	VOLTAGE	LENS TYPE	DIMMING	MOUNT	CORD & PLUG
SKY14-35-35K - 35W (3538.69 Lm; 3,500K)	U - 120/277V	F - Frosted	D - (0 to 10V)	G - Ceiling Grid	[None]
SKY14-35-4K - 35W (3684.84 Lm; 4,000K)					1SB
SKY22-35-35K - 35W (3609.74 Lm; 3,500K)					1SW
SKY22-35-4K - 35W (3787.71 Lm; 4,000K)					6FW
SKY24-50-35K - 35W (5155.78 Lm; 3,500K)					6SB
SKY24-50-4K - 35W (5366.8 Lm; 4,000K)					6SW

Indicates most popular item

Sample Part Number: SKY22-35-4K-U-F-D-G-6SB

Cord & Plug Descriptions:

- 1SB – 10' Standard Black 120/277V (No Plug)
- 1SW – 10' Standard White 120/277V (No Plug)
- 6FW – 6' Flexible Whip
- 6SB – 6' Standard Black 120/277V (No Plug)
- 6SW – 6' Standard White 120/277V (No Plug)