



ADVANTAGE SERIES

4' & 8' LED Vaportight

Outdoor Rated Stairwell and Passageway

Short Specification:

The Advantage Vaportight LED is approved for use in vandal-resistant, dust, wet and spray-down locations. It features two (2) LED light strips which are embedded in an aluminum gear tray. A high transmission diffuser has been added to the LED channels to eliminate the hot spots created from the LEDs and increase the horizontal distribution. This LED was collaboratively designed with electrical distributors to surpass the quality of any other manufacturers' products and meet the demands of any job requiring vaportight capabilities.



MODEL	DESCRIPTION	WATTS Model (Actual)	LUMENS	VOLTS
ADV-4-2-LED-48W	4' Advantage LED	48 (46.6)	5,219	90/ 305 (min/max)
ADV-8-2-LED-96W	8' Advantage LED	93	10,265	90/ 305 (min/max)
ADV-4-2-LED-48W-GL	4' Advantage LED	48 - GL (46.6)	5,378	90/ 305 (min/max)
ADV-8-2-LED-96W-GL	8' Advantage LED	93	10,582	90/ 305 (min/max)



Application:

Occupancy Sensor or Step-Dimming Controller for use in:

- Passageways
- Stairwells
- Barns
- Parking Garages
- Car Washes
- Sport Arenas
- Farms
- Subways
- Food Processing
- Temporary Construction
- Industrial Buildings
- Tunnels
- Laundry Facilities
- Under Awnings

*Certain chemicals can diminish the integrity of polycarbonate. Please check the Chemical Compatibility table prior to installation at www.louversintl.com/information



Features:

- DLC listed
- 120/277V
- cETLus listed
- Includes lever-release terminal block for easy wiring
- IP-66 rated
- 96 lumens per watt
- UV stabilized polycarbonate linear prismatic lens and polycarbonate body
- CRI: 83.6
- Wide, quick-release stainless steel latches
- CRI R9 (bright red) 10.6
- Stainless steel mounting brackets allow for various mounting options
- 5,000K color temperature
- Quick-release 304 stainless steel geartray clips
- Storage temp: -40° to +85° C
- Knockouts for 1/2" conduit on back and ends
- Operating temp: -30° C to +40° C
- L70 at 114,000 hours
- 5 year warranty



ETL CLASSIFIED



Intertek
4009613



Options:

- Griplock® mounting systems
- Occupancy Sensor
- EM – Battery Backup
- Liquid Tight Connector

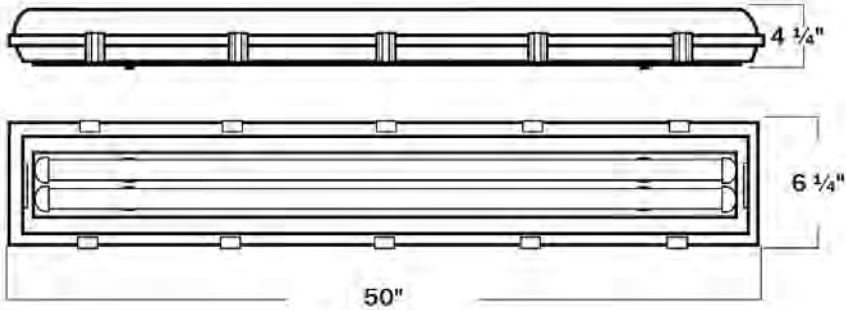
ADVANTAGE SERIES

4' & 8' LED Vaportight

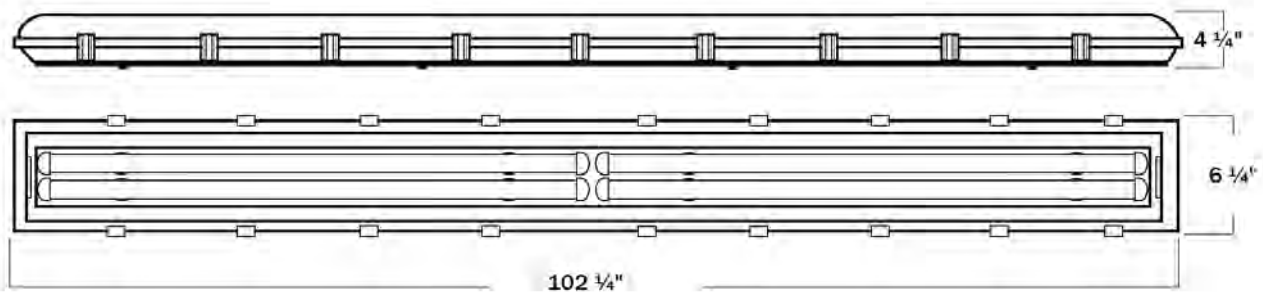
Outdoor Rated Stairwell and Passageway

Dimensions:

4' Advantage LED Vaportight



8' Advantage LED Vaportight



Occupancy Sensor (Covered vs. Uncovered):



Visual Cross Section of Interior:



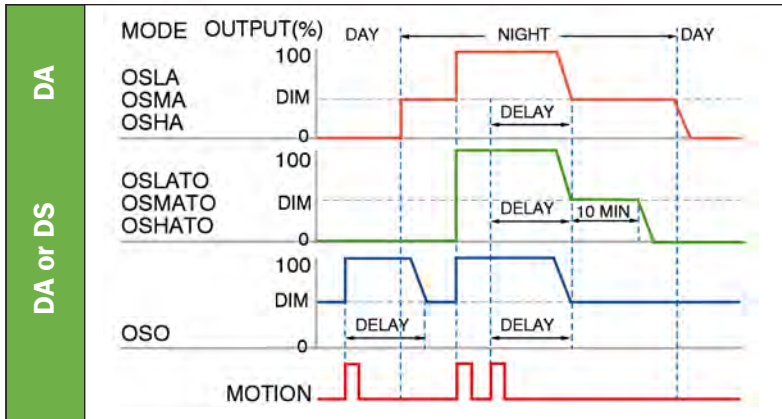
ADVANTAGE SERIES

4' & 8' LED Vaportight

Outdoor Rated Stairwell and Passageway

MODE A – Only on DA (Step Dimming with Ambient Sensor):

Control Modes



Sensor Lens Options

TYPE	LENS	SHAPE	MOUNTING HEIGHT	COVERAGE
A	Standard	Cone	2.4 ~ 4.5 m. (8 – 15 ft.)	2X height
B	Extra Wide	Cone	2.4 ~ 3.0 m. (8 – 10 ft.)	6X height
C	High Bay	Cone	4.5 ~ 9.0 m. (15 – 30 ft.)	3X height
D	Standard	Round	2.4 ~ 6.0 m. (8 – 20 ft.)	2X height
F	Extra Wide	Dome	2.4 ~ 6.0 m. (8 – 20 ft.)	4X height

Specifications

DETECTABLE SPEED	0.15 ~ 3 m./sec. (0.5 ~ 10 ft./sec.)
MOUNTING HEIGHT	Subject to lens type applied
DETECTION RANGE	Subject to lens type applied and height
LOW DIM LEVEL	0/5/10/20/25/33/50% selectable
AMBIENT LIGHT LEVEL	L: 20 ~ 50 lux, M: 80 ~ 130 lux, H: 500 ~ 600 lux
DELAY TIME SETTING	1Min. / 3 Min. / 5 Min. /10 Min. /15 Min. / 20 Min. / 30 Min. selectable
TIME-OFF DELAY	10 min., TO models only

OS (Occupancy Sensor):

Sensor Settings

TIME	10"	30"	1'	3'	5'	10'	20'	30'
LUX	5	20	50	100	300	500	1K	24H

ADVANTAGE SERIES

4' & 8' LED Vaportight

Outdoor Rated Stairwell and Passageway

OS or OA (Occupancy Sensor or Occupancy Sensor with Ambient Sensor):

Sensor Lens Options

TYPE	LENS	SHAPE	MOUNTING HEIGHT	COVERAGE
A	Standard	Cone	2.4 ~ 4.5 m. (8 – 15 ft.)	2X height
B	Extra Wide	Cone	2.4 ~ 3.0 m. (8 – 10 ft.)	6X height
C	High Bay	Cone	4.5 ~ 9.0 m. (15 – 30 ft.)	3X height
D	Standard	Round	2.4 ~ 6.0 m. (8 – 20 ft.)	2X height
F	Extra Wide	Dome	2.4 ~ 6.0 m. (8 – 20 ft.)	4X height

Specifications

DETECTABLE SPEED	0.3 ~ 3 m./sec. (1 ~ 10 ft./sec.)
MOUNTING HEIGHT	Subject to lens type applied
DETECTION RANGE	Subject to lens type applied and height
AMBIENT LIGHT LEVEL	Lux 5/20/50/100/300/500/1K/24HR **
DELAY TIME SETTING	10 Sec. /30 Sec. /1 Min. / 3 Min. / 5 Min. / 10 Min. / 20 Min. / 30 Min. selectable

** This option is only available on OA (Occupancy Sensor with Ambient Sensor).

Ordering Information:

PRODUCT (LUMENS)	COLOR TEMP	VOLTAGE	LENS TYPE	FINISH	MOUNTING	ACCESSORIES
ADV4-2-LED-48W (4545 Lm)	5K - 5,000 K	EM - 120/ 277 V Nominal with 90 Min. Battery Backup	FR - Frosted Diffuser GL - Glow Series	GR - Grey	AM - Custom Arm Mount CH - Chain Hang G - Griplock Aircraft Cable SB - Strap Mount Bracket SM - Surface Mount Bracket	DA - Step Dimming w/Ambient Sensor DS - Step Dimming DV - 0 to 10V Dimming EC - External Light Control OA - Occ. Sensor w/ Ambient Sensor OS - Occ. Sensor
ADV8-2-LED-96W (9332 Lm)	4K - 4,000 K	U - 120/ 277 V Nominal				

Indicates most widely used fixture

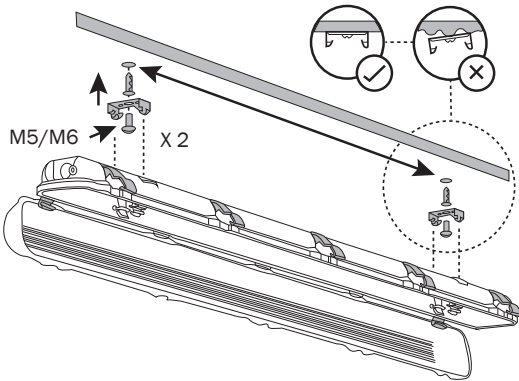
Sample Part Number: ADV4-2-LED-48W-5K-U-FR-GR-SM-DV

ADVANTAGE SERIES

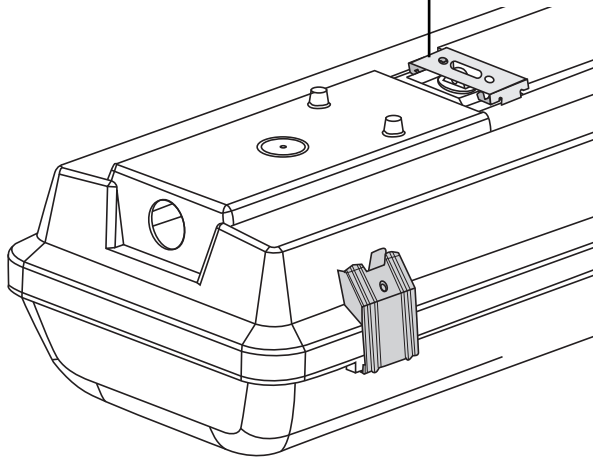
4' & 8' LED Vaportight

Outdoor Rated Stairwell and Passageway

Mounting Information



Surface Mounting Bracket (SM Option)



Strap Mounting Bracket (SB Option)

