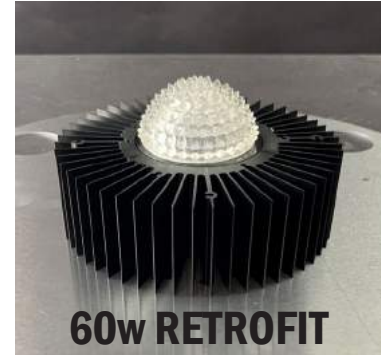
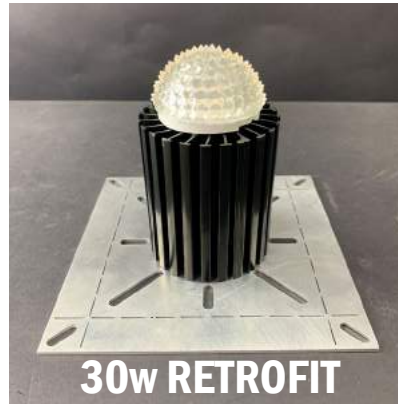




### Overview

The Husker is a dedicated LED ornamental post top retrofit solution. We designed this LED upgrade kit to shuck all of the “corn cob” lamps out of the industry. The design of corn cobs is inherently flawed. Depending on the style, corn cobs either rely on outdated ballast technology, or squeeze components into a space too small to effectively dissipate heat. Most of the original ornamental post top fixtures in use today utilize metal halide or high pressure sodium lamps with porcelain sockets. Low frequency vibration from semi-trucks, garbage trucks, and wind will eventually cause the porcelain socket to snap because it was not intended to hold the weight of the new corn cob lamp. The Husker eliminates the socket and ballast. And the driver is separate from the LED module, allowing for maximum efficiency. Although the simplicity and cost of corn cob lamps might seem appealing, they are not the best solution for the application. The Husker is easy to install, and a much better investment. If you have ornamental post top fixtures, use a Husker, designed and made in the USA, to properly upgrade them. With plenty of CCT's and CRI combinations to choose from, we can emulate the existing appearance, or upgrade to a brighter look. Help us shuck corn cobs out of the industry with the Husker!

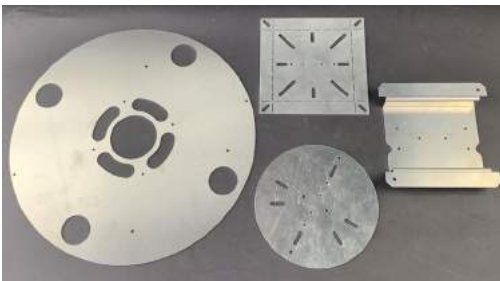


### Features

- Made In USA
- Class 2 power supply
- -20°C - 50°C operating temperature
- 2200 – 6500 CCT available
- 70, 80, 90 CRI available
- 30w and 60w solutions
- Multiple stock mounting plates
- Custom fit mounting plates
- Quick field install time
- 10kV / 20kV surge protection available
- 0-10V dimming
- Remote driver mounting option
- 5 year warranty

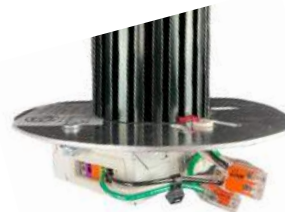
### Application

- Colleges and Universities
- Medical Campuses
- Municipalities
- Parks
- Parking Lot and Garage Areas
- Residential Neighborhoods
- Streets / Roadways



### CUSTOMIZE YOUR PLATES

### 30w RETROFIT INSTALLED



### Compatible Fixture Styles

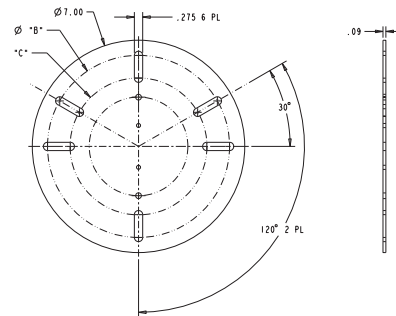
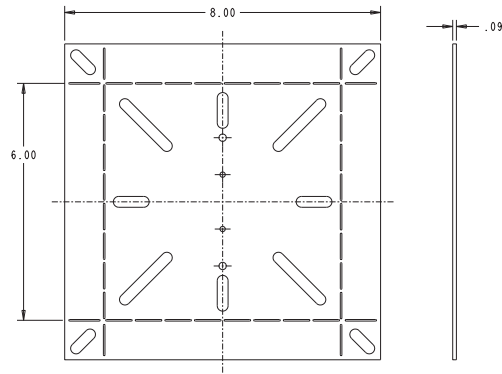
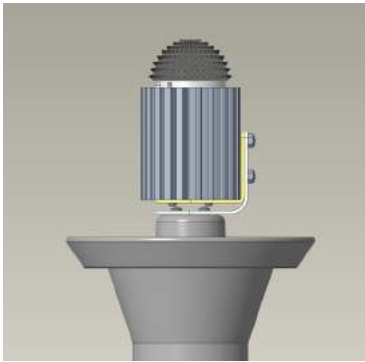
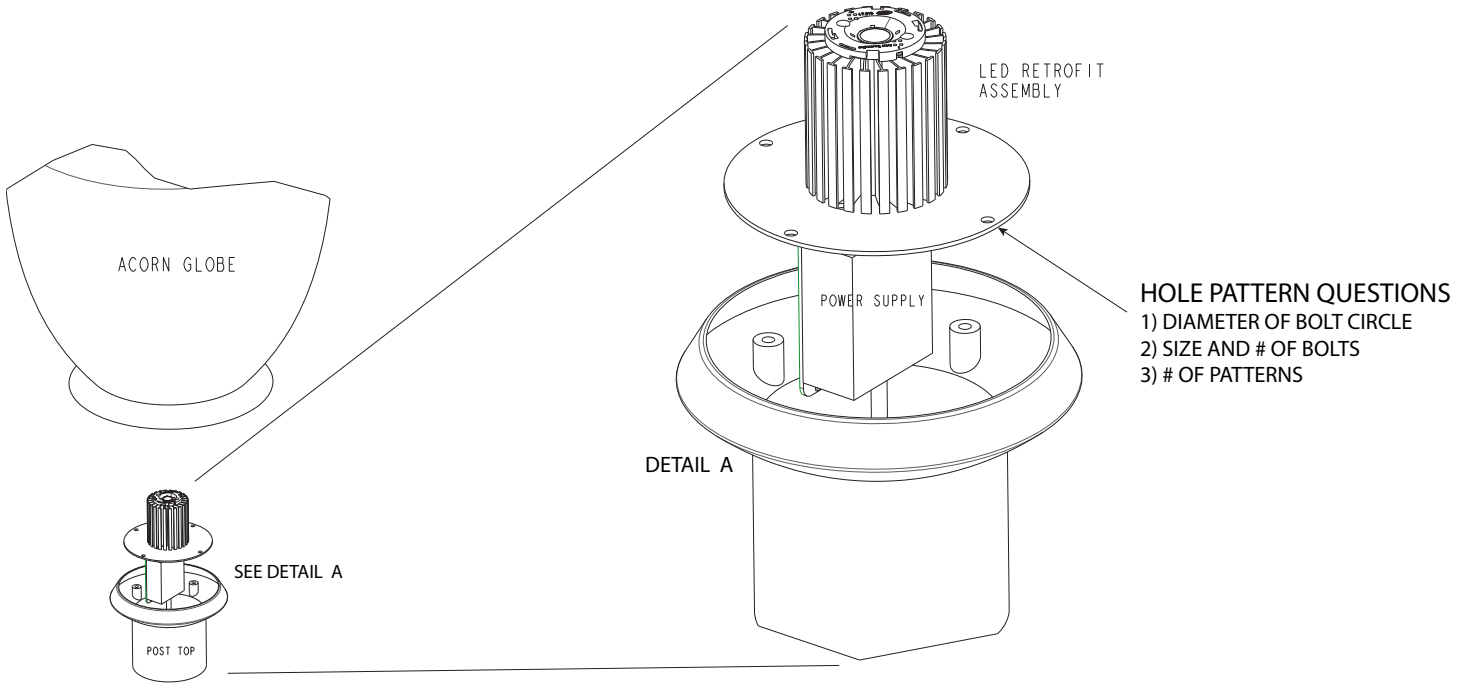
NOT SUPPLIED

- 4, 6, and 8 sided Lanterns
- Acorn
- Sphere - 12" - 36"
- Tear Drop
- Cylinder



Made in Illinois



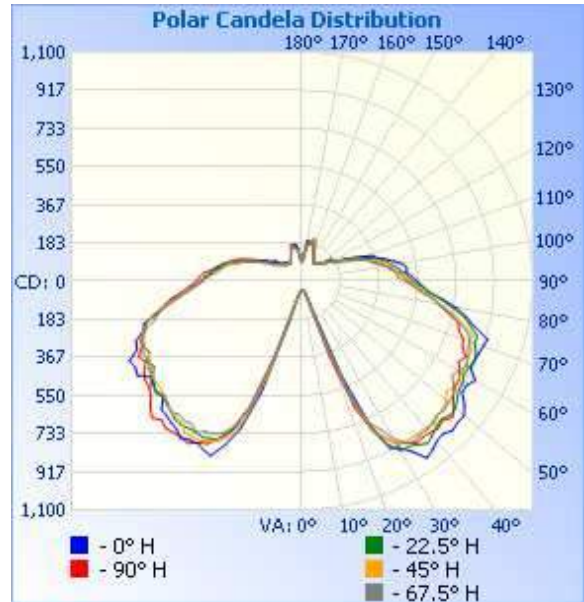


LOUVERS INT'L P/N STANDARD PLATE	BOLT CIRCLE (B) 6.0"	BOLT CIRCLE (C) 4.5"
-------------------------------------	-------------------------	-------------------------



### Ordering Chart

Series	Watts	CCT	CRI	SURGE PROTECTIONS	ACCESSORIES	
HSK	30	30k (3000k)	70	10kA	N9 - NIMBUS9 RELAY	
	60	35k (3500k)		20kA	BLDB - BI-LEVEL DIMMING OCC SENSOR - BLUETOOTH ENABLED	
		40k (4000k)		WFCM - WIRELESS FIXTURE CONTROL MODULE		
		50k (5000k)				
		57k (5700k)				
		65k (6500k)				
	HSK	22k (2200k)	80			
		27k (2700k)				
		30k (3000k)				
		35k (3500k)				
40k (4000k)						
60		50k (5000k)				
		57k (5700k)				
		65k (6500k)				
		90	22k (2200k)			
			27k (2700k)			
30k (3000k)						
35k (3500k)						
50k (5000k)						



Made in Illinois





### Performance Data Table

30W HUSKER	CRI	CCT	LPW	Total Lumens	Watts
HSK-30-30K-70	70	3000	131.1	4486.3	34.22
HSK-30-40K-70	70	4000	133.4	4564.6	34.22
HSK-30-50K-70	70	5000	135.6	4642.8	34.22
HSK-30-27K-80	80	2700	109.5	3762.3	34.4
HSK-30-30K-80	80	3000	114.5	3935.5	34.4
HSK-30-35K-80	80	3500	118.1	4059.3	34.4
HSK-30-40K-80	80	4000	120.3	4133.5	34.34
HSK-30-50K-80	80	5000	121.8	4183.1	34.34
HSK-30-57K-80	80	5700	121.8	4183.1	34.34
HSK-30-65K-80	80	6500	121.8	4183.1	34.34
HSK-30-27K-90	90	2700	91.3	3158.6	34.61
HSK-30-30K-90	90	3000	99.9	3443.6	34.45
HSK-30-35K-90	90	3500	103.5	3570.2	34.45
HSK-30-40K-90	90	4000	105	3620.8	34.45
HSK-30-50K-90	90	5000	106.5	3671.4	34.45

60W HUSKER	CRI	CCT	LPW	Total Lumens	Watts
HSK-60-30K-70	70	3000	128.5	8402.5	65.37
HSK-60-40K-70	70	4000	130.8	8547.4	65.37
HSK-60-50K-70	70	5000	133	8692.2	65.37
HSK-60-27K-80	80	2700	107.3	7012.2	65.35
HSK-60-30K-80	80	3000	108.3	7160.8	66.1
HSK-60-35K-80	80	3500	111.7	7383.1	66.09
HSK-60-40K-80	80	4000	113.7	7516.6	66.1
HSK-60-50K-80	80	5000	114.4	7561.1	66.2
HSK-60-57K-80	80	5700	114.4	7561.1	66.2
HSK-60-65K-80	80	6500	113.7	7516.6	66.1
HSK-60-27K-90	90	2700	90.4	5970.8	66.07
HSK-60-30K-90	90	3000	95.23	6289.8	66.07
HSK-60-35K-90	90	3500	99.6	6508.1	65.34
HSK-60-40K-90	90	4000	101.7	6645.5	65.34
HSK-60-50K-90	90	5000	102.4	6691.4	65.34