

TABLE TOP

A simple but elegant shield with slotted feet and optional transaction slot.

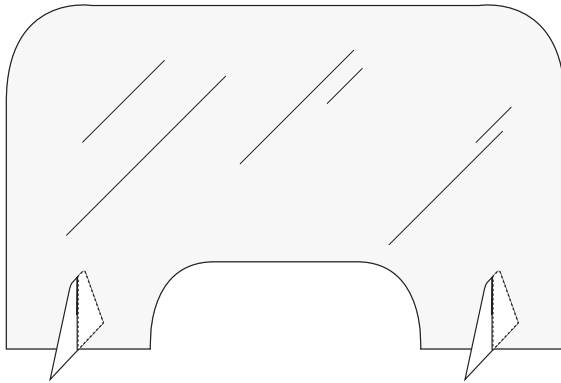
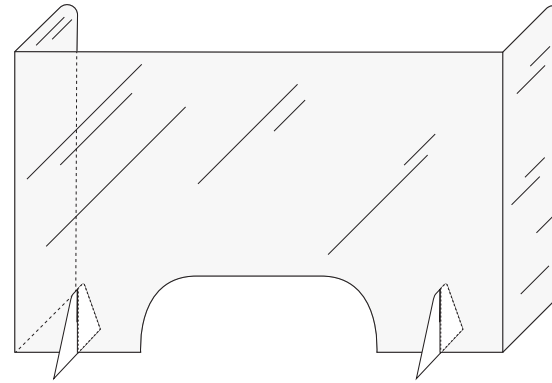


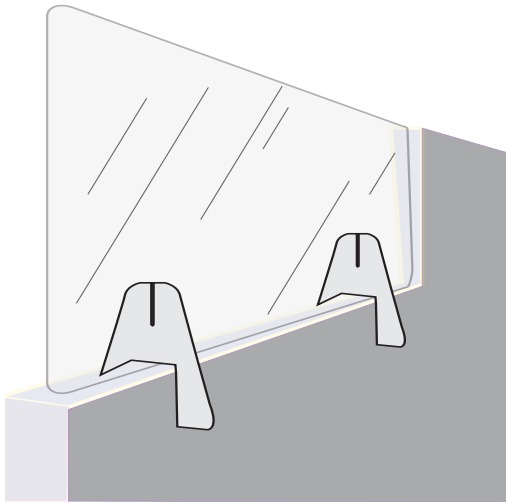
TABLE TOP - with BENDS

Just like its simpler cousin without bends, this model has added stability, allowing for taller, more rigid shields.



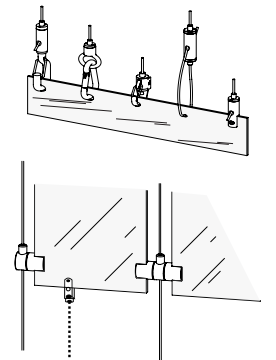
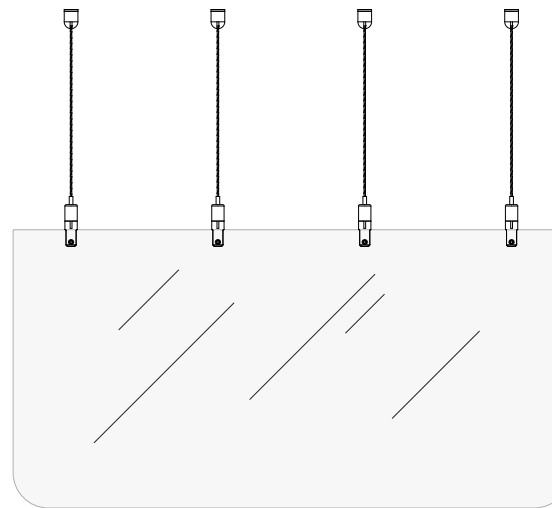
CUBICLE EXTENSION

For office spaces where extra protection is needed between desks.



HANGING SHIELD

For counter areas and tight spaces without room for a standing shield, but plenty of space above.



ORDERING PROCEDURE

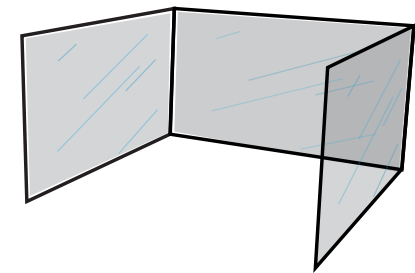
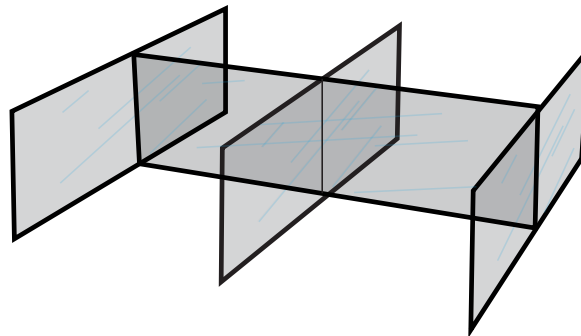
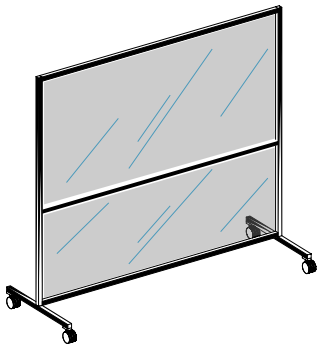
(If you get lost at any point, skip straight to step 5 and talk to your Louvers International representative.)

1. Choose the model that best suits your needs.
2. Select from one of our optimal sizes or pick a custom size that will more precisely fit your space. Our class size guide will help you stay within budget. Class A uses the most material, and is therefore the highest cost.
3. Choose adders or modifications that make it just right for your application.
 - Transaction slots
 - Custom holes
 - Special shapes
 - Casters for mobility
 - Hanging accessories
4. Build your part number from our chart.
5. Request a quote from your Louvers International representative.

FEATURES

- Fully customizable
- Made in the USA
- Short lead times
- Window clear polycarbonate is our primary material for construction. It is extremely durable and nearly unbreakable.
- Our sales team can be reached by phone or email during regular business hours, Monday through Friday 8am to 5pm Central Time, and sometimes even outside those hours. Speaking to a live person often makes the ordering process easier, especially for tougher jobs.

If one of our standard solutions doesn't fit your application, ask about some of our custom solutions.



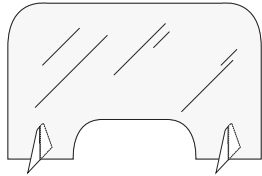


TABLE TOP

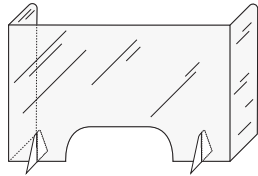
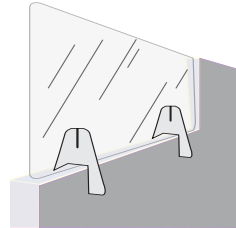
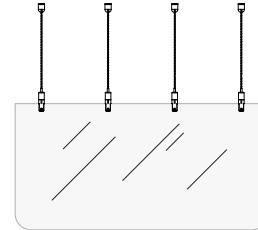


TABLE TOP with BENDS



CUBICLE EXTENSION



HANGING SHIELD

Note: Common sizes are on the **following page**. Each common size has its own part number.

We're **here to help!** If you would like advice on what style and size is right for your application, please give us a call at **800-543-3765** or **630-333-1000**.

ORDERING CHART

SDS- Social Distance Shield	SIZE	MATERIAL	THICKNESS [^]	MODIFICATIONS	BASE
TT - Table Top	A	PC* - Polycarbonate Clear	.118	TS - Transaction Slot	SF - Slotted Feet
TTB - Table Top with Bends	B	AC - Acrylic Clear	.125	H - Hole	C - Cubicle
CE - Cubicle Extension	C	PO - Polycarbonate Opaque	.187	N - None	N - None
HS - Hanging Shield	D	AO - Acrylic Opaque	.220		
	E	AT - Acrylic Translucent	.250		
	F	PG - PETG Clear			
	G				
	H				

Sample Part Number
SDS-TTB-B-PC-.118-TS-SF

Comment: 40 x 42 x 2

(We will determine the code for this field, based on the size you choose. Or, see our size chart on page 4 for size ranges.)

* Polycarbonate Clear is our standard material. Other materials may have limited availability or long lead times.

[^] Other thicknesses may be available. Not all materials are available in all thicknesses.

Note – Other custom bases, like aluminum frames and casters are available. Check with a Louvers International representative for details.

EXACT SIZE

If your part number is not a common size listed on the following page, add it as a comment after the complete part number.

Use inches as measurement and indicate Width x Height (x Depth if it is a TTB).

COMMON / POPULAR SIZES

TABLE TOP		
(Width" x Height")	Use Part Number	Additional Instructions
47 x 31	SDS-TT-C1-PC-.118-TS-SF	Standard Transaction Slot is 12" x 3" Provide alternate size if needed (If no transaction slot is desired, change TS in part number to N)
47 x 23	SDS-TT-D1-PC-.118-TS-SF	
36 x 36	SDS-TT-B1-PC-.118-TS-SF	
36 x 31	SDS-TT-C2-PC-.118-TS-SF	
36 x 23	SDS-TT-D2-PC-.118-TS-SF	
72 x 36	SDS-TT-A1-PC-.220-TS-SF	
72 x 31	SDS-TT-A2-PC-.220-TS-SF	
72 x 23	SDS-TT-B3-PC-.220-TS-SF	
47 x 36	SDS-TT-B2-PC-.220-TS-SF	

TABLE TOP WITH BENDS		
(Width" x Height" x Bend")	Use Part Number	Additional Instructions
43 x 47 x 2	SDS-TTB-B1-PC-.118-TS-SF	Standard Transaction Slot is 12" x 3" Provide alternate size if needed (If no transaction slot is desired, change TS in part number to N)
43 x 36 x 2	SDS-TTB-B2-PC-.118-TS-SF	
43 x 31 x 2	SDS-TTB-C1-PC-.118-TS-SF	
43 x 23 x 2	SDS-TTB-D1-PC-.118-TS-SF	
36 x 47 x 2	SDS-TTB-B3-PC-.118-TS-SF	
36 x 36 x 2	SDS-TTB-B4-PC-.118-TS-SF	
36 x 31 x 2	SDS-TTB-C2-PC-.118-TS-SF	
36 x 23 x 2	SDS-TTB-D2-PC-.118-TS-SF	

Comprehensive Size Charts

TABLE TOP, CUBICLE EXTENSION, and HANGING SHIELD - Standard Rectangular Configurations

	Class A		Class B*		Class C		Class D		Class E		Class F		Class G		Class H	
	Width	Height	Width	Height	Width	Height	Width	Height	Width	Height	Width	Height	Width	Height	Width	Height
Range^	48 - 95	24 - 47	32 - 47	32 - 47	24 - 47	24 - 31	24 - 47	18 - 23	24 - 47	15 - 18	24 - 31	12 - 23	24 - 27	11 - 12.5	11 - 23	11 - 23

*Alt. Max 95x23 | Combinations outside the given ranges are possible. Max size is 95" x 47". **Width and height are interchangeable.**

^All measurements in inches. For all parts with a dimension over 47", the use of .220 material is preferred.

TABLE TOP WITH BENDS - Standard Rectangular Configurations with Minimum Bends

	Class A		Class B*		Class C		Class D		Class E		Class F		Class G		Class H	
	Width	Height	Width	Height	Width	Height	Width	Height	Width	Height	Width	Height	Width	Height	Width	Height
Range^	44 - 87	24 - 47	28 - 43	32 - 47	20 - 43	24 - 31	20 - 43	18 - 23	20 - 43	15 - 18	20 - 27	12 - 23	20 - 23	11 - 12.5	7 - 19	11 - 23
Typical Bend^	4		2		2		2		2		2		2		2	

*Alt. Max 87x23 | **TABLE TOP WITH BENDS - width and height are NOT interchangeable.**

^All measurements in inches.