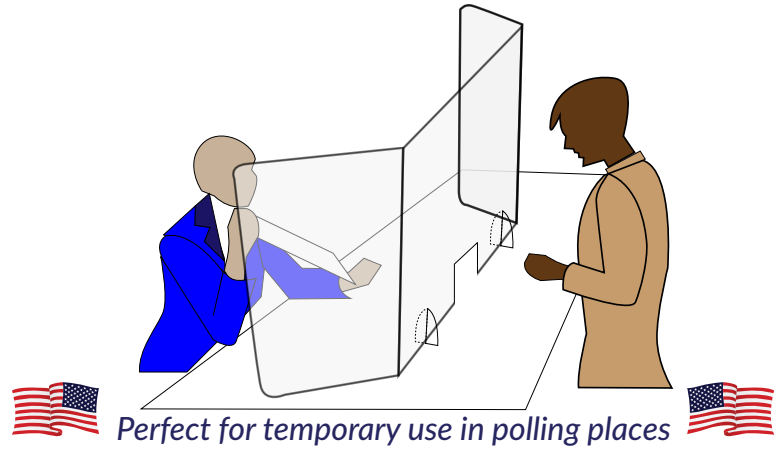




SHIELD CONSTRUCTION

- Window Clear Polycarbonate
 - Nearly unbreakable
 - Available in multiple thicknesses (.118" is standard)
- Rounded corners for safety
- Transaction Slot included (also available without)
- Various sizes and designs for different applications
- Standard sizes are designed to be shippable via ground

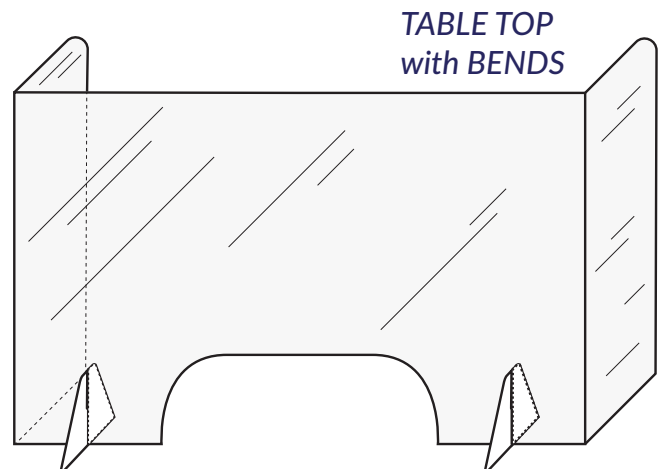
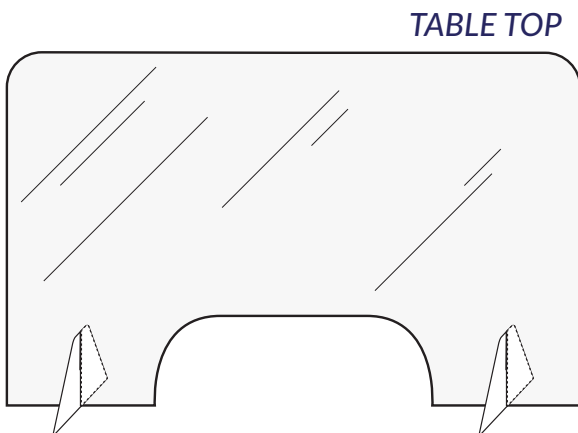
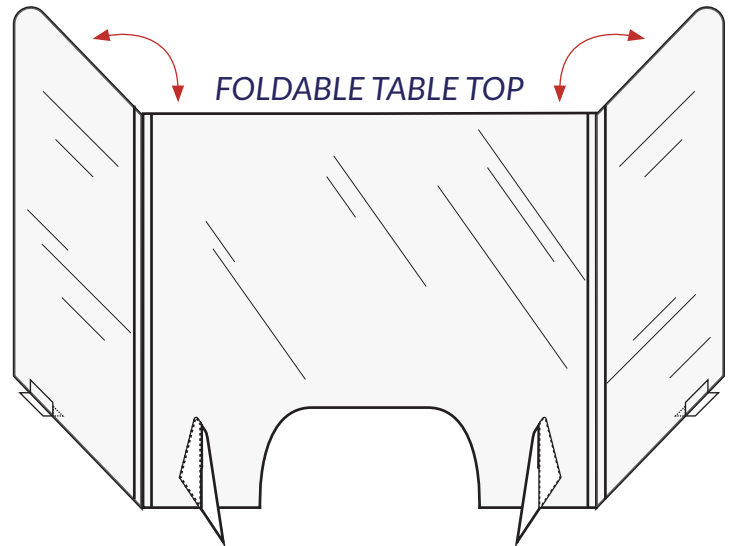


OPTIONS

- Material Type
- Material Thickness
- Transaction Slot
 - Different sizes or none at all
- Special size feet or foot location
- Varying widths and heights of panels
- Adhesive grippers, support rails, fixed joints, hinges
- Special shapes

We have endless design options.

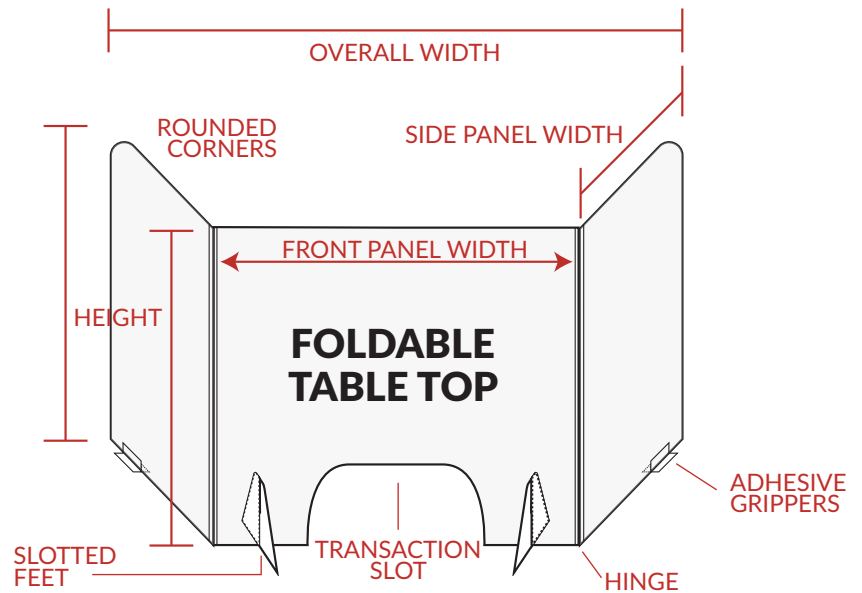
CALL LOUVERS INTERNATIONAL
to discuss your needs today! **630-333-1000**





Features

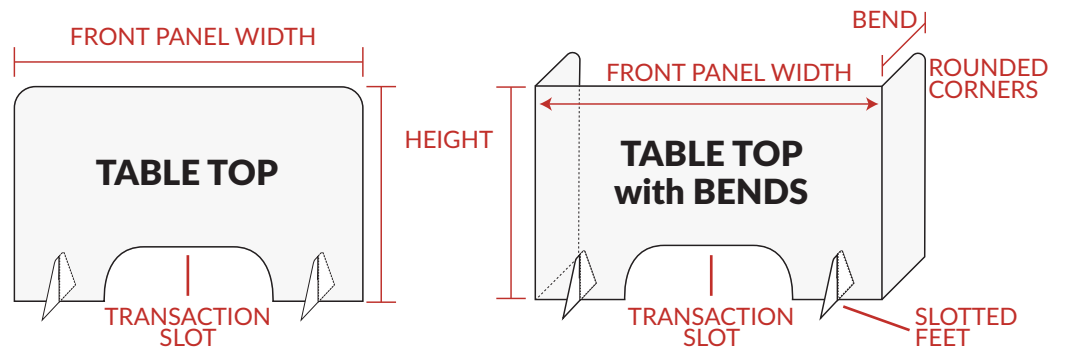
- Durable plastic hinge allows side panels to be adjusted to desired angle, maximizing coverage on any size table
- On MEDIUM model and larger, slotted feet provide added stability
- Feet can also be added to side panels if desired
- Folds flat to 1" for easy shipping and storage
- INCLUDED ADHESIVE GRIPPERS keep side panels at a fixed angle, and prevent shield from sliding on table



SIZE	HEIGHT	FRONT PANEL WIDTH	SIDE PANEL WIDTH	TRANSACTION SLOT SIZE	FEET	OVERALL WIDTH (at 135° open)	PART NUMBER
SMALL	23"	23"	19"	12"x3"	N/A	50"	SDS-FTT-S-PC-.118-TS-N
MEDIUM	31"	31"	23"	12"x3"	2 on front	64"	SDS-FTT-M-PC-.118-TS-SF
LARGE	31"	47"	23"	12"x3"	2 on front	80"	SDS-FTT-L-PC-.118-TS-SF
TALL	47"	31"	30"	12"x3"	2 on front	74"	SDS-FTT-T-PC-.118-TS-SF
FULL	47"	43"	31"	12"x3"	2 on front	87"	SDS-FTT-F-PC-.118-TS-SF
CUSTOM - Fully Customizable							SDS-FTT-C-_-_-_-_-

Features

- Simple design for protecting small areas
- Ship and store flat/nearly flat
- Available in any size and thickness



SIZE	HEIGHT	WIDTH	TRANSACTION SLOT SIZE	SIDE BENDS	PART NUMBER
MEDIUM	36"	23"	12"x3"	N/A	SDS-TT-D3-PC-.118-TS-SF
WIDE	31"	47"	12"x3"	N/A	SDS-TT-C1-PC-.118-TS-SF
TALL	47"	43"	12"x3"	2"	SDS-TTB-B1-PC-.118-TS-SF

