

Short Specification:

The 2' Advantage Vaportight LED is approved for use in vandal-resistant, dust, wet and spray-down locations. It features two (2) LED light strips which are embedded in an aluminum gear tray. A high transmission diffuser has been added to the LED channels to eliminate the hot spots created from the LEDs and increase the horizontal distribution. This LED was collaboratively designed with electrical distributors to surpass the quality of any other manufacturers' products and meet the demands of any job requiring vaportight capabilities.



MODEL	DESCRIPTION	WATTS Model (Actual)	LUMENS*	VOLTS
ADV2LED-20	2' Advantage LED	20 (20.88)	2986.3	120/277V
ADV2LED-25	2' Advantage LED	25 (24.41)	3451.3	120/277V
ADV2LED-30	2' Advantage LED	30 (27.94)	3916.1	120/277V
ADV2LED-40	2' Advantage LED	40 (35.01)	4856.0	120/277V
ADV2LED-50	2' Advantage LED	50 (42.07)	5775.8	120/277V

* LUMENS Based on 5,000K Model

Applications:

Fixture is suitable for indoor and outdoor applications such as:

- Passageways
- Barns
- Car Washes
- Farms
- Food Processing
- Industrial Buildings
- Laundry Facilities
- Stairwells
- Parking Garages
- Sport Arenas
- Subways
- Temporary Construction
- Tunnels
- Under Awnings

*Certain chemicals can diminish the integrity of polycarbonate. Please check the Chemical Compatibility table prior to installation at www.louversintl.com/information

Features:

- Made in USA
- cETLus listed - UL1598 & UL1598A
- IP-66 rated
- UV stabilized polycarbonate linear prismatic lens and polycarbonate body
- Wide, quick-release stainless steel latches
- Stainless steel mounting brackets allow for various mounting options
- Quick-release 304 stainless steel geartray clips
- Knockouts for ½" conduit on back and ends
- 120/277V and 347/480V
- Includes lever-release terminal block for easy wiring
- 138 lumens per watt
- CRI: 80
- 3,000K/3,500/4,000K
- 5,000K color temperature
- Storage temp: -40° to +85° C
- Operating temp: -30° C to +40° C
- L70 at 72,000 hours
- 5 year warranty
- 0 to 10V continuous dimming is standard

Options:

- Griplock® mounting systems
- EM — Battery Backup
- Occupancy Sensor
- Liquid Tight Connector



ETL CLASSIFIED



Intertek

ETL CLASSIFIED



Intertek

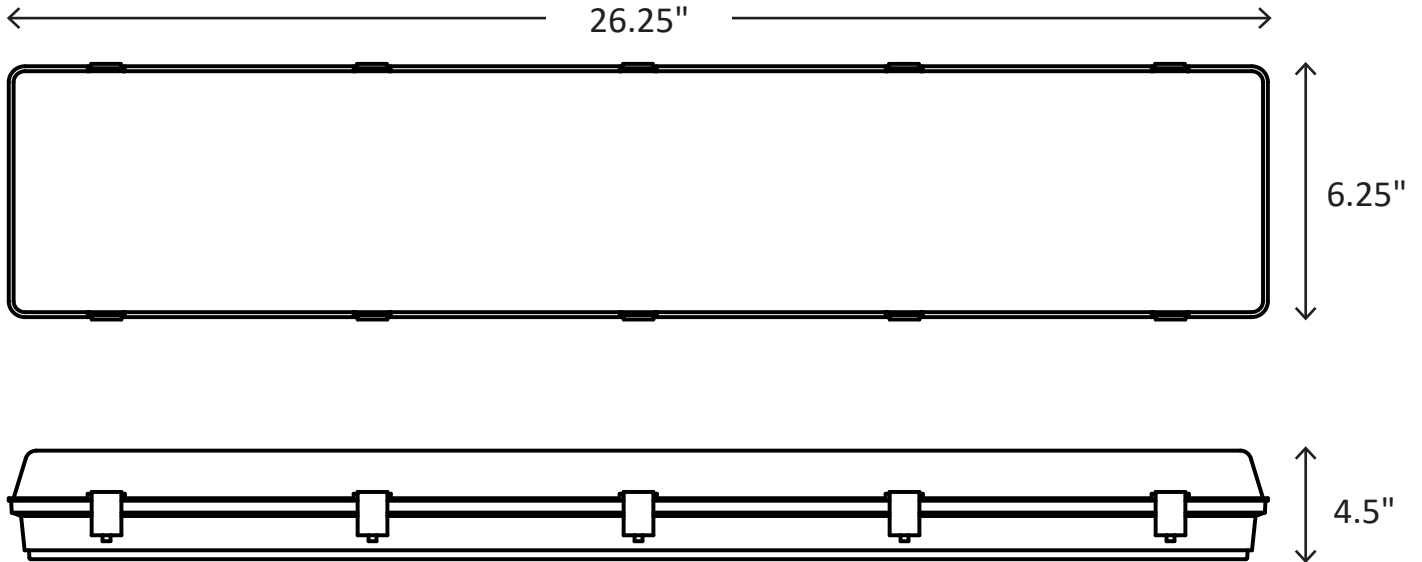


Made in Illinois



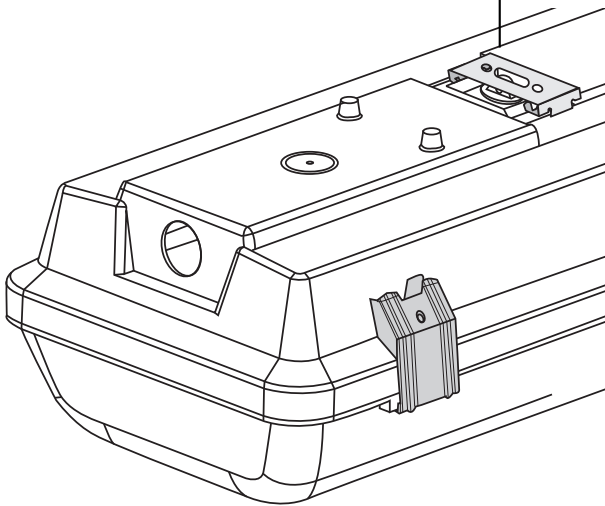


PROFILE

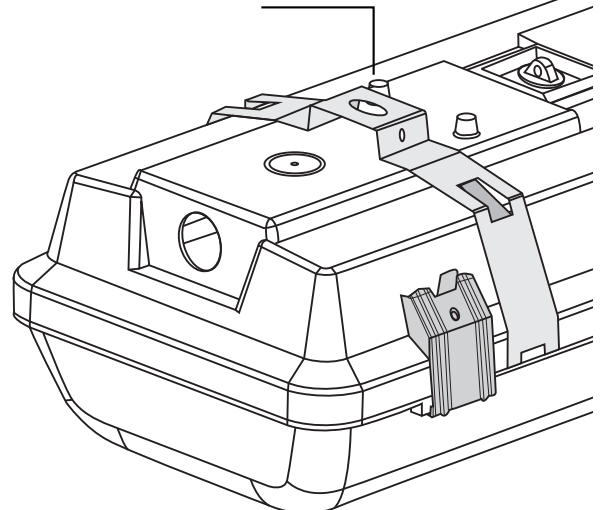


MOUNTING

Surface Mounting Bracket (SM Option)



Strap Mounting Bracket (SB Option)



ETL CLASSIFIED



ETL CLASSIFIED



Made in Illinois





Advantage LED Part Number Breakdown

SERIES	SIZE	WATTS (LUMENS)	COLOR TEMP	VOLTAGE	LENS
ADV	2LED	20 (2986.3)	3K (3000 KELVIN)	U (120 - 277 V)+	F (FROSTED) +
		25 (3451.3)	35K (3500 KELVIN)	H (347 - 480 V)	C (WINDOW CLEAR)
		30 (3916.1)	4K (4000 KELVIN)		
		40 (4856)	5K (5000 KELVIN)		
		50 (5775.8)			

FINISH	DIMMING	vMOUNTING	CORD AND PLUG	OPTIONS
G (GREY) + C (CUSTOM)	D (0-10V) +	S (SURFACE) +	6SW (6' STANDARD WHITE 120 - 277) 6SB (6' STANDARD BLACK 120 - 277) 1SW (10' STANDARD WHITE 120 - 277) 1SB (10' STANDARD BLACK 120 - 277) 6L5W (6' L5-15 WHITE 120V TWIST LOCK) 6L5B (6' L5-15 BLACK 120V TWIST LOCK) 1L5W (10' L5-15 WHITE 120V TWIST LOCK) 1L5B (10' L5-15 BLACK 120V TWIST LOCK) 6L6W (6' L6-15 WHITE 240V TWIST LOCK) 6L6B (6' L6-15 BLACK 240V TWIST LOCK) 1L6W (10' L6-15 WHITE 240V TWIST LOCK) 1L6B (10' L6-15 BLACK 240V TWIST LOCK) 6L7W (6' L7-15 WHITE 277V TWIST LOCK) 6L7B (6' L7-15 BLACK 277V TWIST LOCK) 1L7W (10' L7-15 WHITE 277V TWIST LOCK) 1L7B (10' L7-15 BLACK 277V TWIST LOCK) 6FW (6' FLEXIBLE WHIP)	PG (PARKING GARAGE) N9 (NIMBUS 9 UNIFI SYSTEM) DS (DUAL SWITCHING OUTSIDE / INSIDE BOARDS) POT (POTENTIOMETER ON GEARTRY) NL (NIGHTLIGHT RED LEDS) NV (NIGHTVISION IR LEDS) IMS (INTERNAL MICROWAVE SENSOR) DIMS (DRIVER INTEGRATED MICROWAVE SENSOR) OCC (OCCUPANCY SENSOR) BLD (BI-LEVEL DIMMING) PHO (PHOTOCELL) EM (EMERGENCY BATTERY BACKUP)

+ *Standard Options*

