

#### Short Specification:

The 4' Advantage Wide Body Vaportight LED is approved for use in vandal-resistant, dust, wet and spray-down locations. It features 6 LED light strips which are embedded in an aluminum gear tray. A high transmission diffuser has been added to the LED channels to eliminate the hot spots created from the LEDs and increase the horizontal distribution. This LED was collaboratively designed with electrical distributors to surpass the quality of any other manufacturers' products and meet the demands of any job requiring vaportight capabilities.



MODEL	DESCRIPTION	WATTS Model (Actual)	LUMENS	VOLTS
ADV4WLED-100	4' Advantage Wide Body LED	100 (96.84)	12274.8	120/277V
ADV4WLED-120	4' Advantage Wide Body LED	120 (116.6)	14498	120/277V
ADV4WLED-135	4' Advantage Wide Body LED	135 (131.42)	16165.4	120/277V
ADV4WLED-175	4' Advantage Wide Body LED	175 (170.94)	20611.7	120/277V
ADV4WLED-200	4' Advantage Wide Body LED	200 (195.64)	23390.7	120/277V

\* LUMENS Based on 5,000K Model

#### Applications:

Fixture is suitable for indoor and outdoor applications such as:

- Passageways
- Barns
- Car Washes
- Farms
- Food Processing
- Industrial Buildings
- Laundry Facilities
- Stairwells
- Parking Garages
- Sport Arenas
- Subways
- Temporary Construction
- Tunnels
- Under Awnings

\*Certain chemicals can diminish the integrity of polycarbonate. Please check the Chemical Compatibility table prior to installation at [www.louversintl.com/information](http://www.louversintl.com/information)

#### Features:

- Made in USA
- cETLus listed - UL1598 & UL1598A
- IP-66 rated
- UV stabilized polycarbonate linear prismatic lens and polycarbonate body
- Wide, quick-release stainless steel latches
- Stainless steel mounting brackets allow for various mounting options
- Quick-release 304 stainless steel geartray clips
- Knockouts for ½" conduit on back and ends
- 120/277V and 347/480V
- Includes lever-release terminal block for easy wiring
- 138 lumens per watt
- CRI: 80
- 3,000K/3,500/4,000K
- 5,000K color temperature
- Storage temp: -40° to +85° C
- Operating temp: -30° C to +40° C
- L70 at 72,000 hours
- 5 year warranty
- 0 to 10V continuous dimming is standard

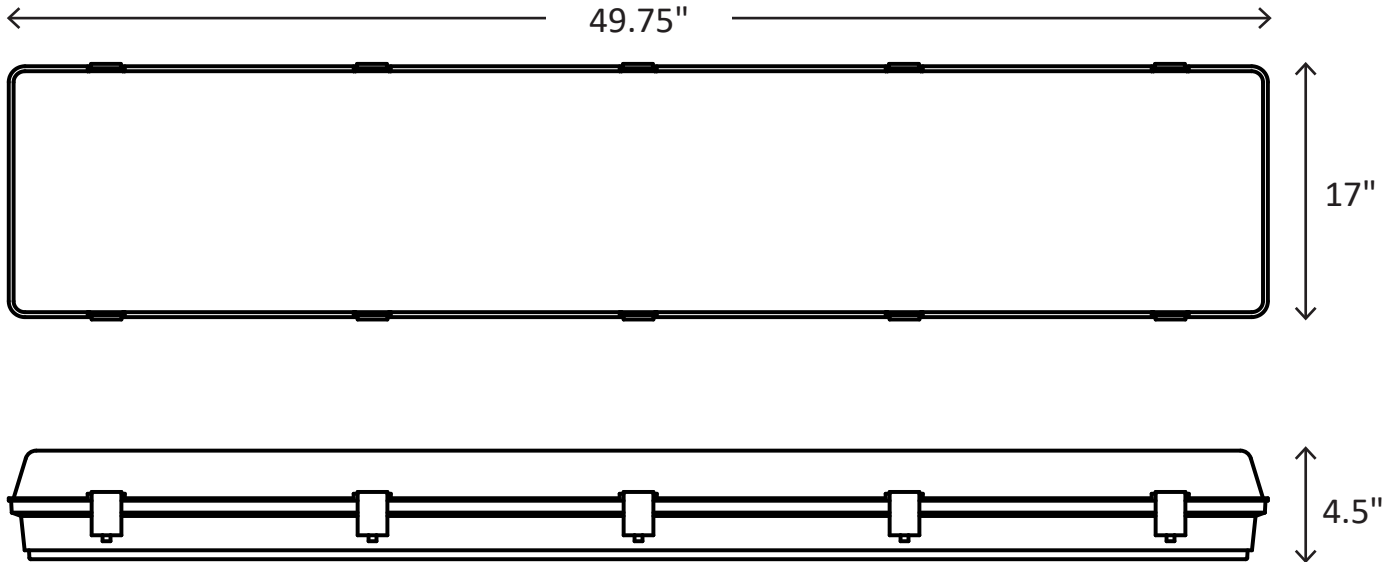
#### Options:

- Griplock® mounting systems
- EM – Battery Backup
- Occupancy Sensor
- Liquid Tight Connector



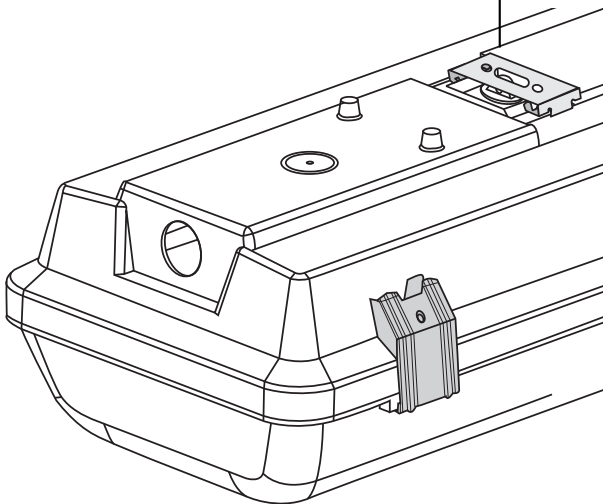


### PROFILE

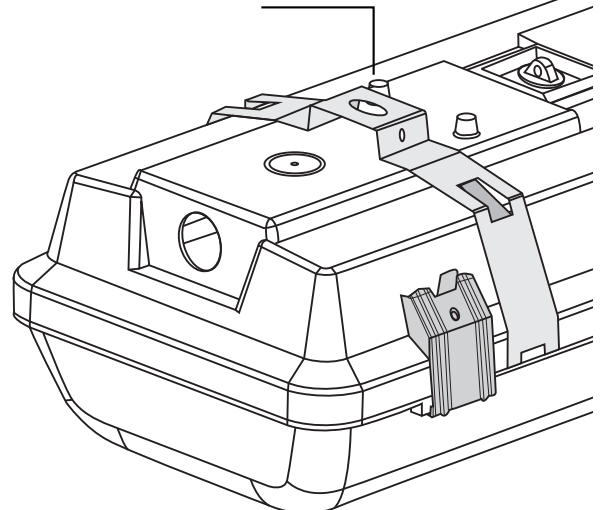


### MOUNTING

Surface Mounting Bracket (SM Option)



Strap Mounting Bracket (SB Option)



ETL CLASSIFIED



ETL CLASSIFIED



Made in Illinois





# LOUVERSLED

## ADVANTAGE SERIES 4' Wide Body LED Vaportight

### Advantage LED Part Number Breakdown

SERIES	SIZE	WATTS (LUMENS)	COLOR TEMP	VOLTAGE	LENS
ADV	4WLED	100 (12274.8)	3K (3000 KELVIN)	U (120 - 277 V)+	F (FROSTED) +
		120 (14498)	35K (3500 KELVIN)	H (347 - 480 V)	C (WINDOW CLEAR)
		135 (16165.4)	4K (4000 KELVIN)		
		175 (20611.7)	5K (5000 KELVIN)		
		200 (23390.7)			

FINISH	DIMMING	MOUNTING	CORD AND PLUG	OPTIONS
G(GREY) + C (CUSTOM)	D (0-10V) +	S (SURFACE) +	6SW (6' STANDARD WHITE 120 - 277)	PG (PARKING GARAGE)
			6SB (6' STANDARD BLACK 120 - 277)	N9 (NIMBUS 9 UNIFI SYSTEM)
			1SW (10' STANDARD WHITE 120 - 277)	DS (DUAL SWITCHING OUTSIDE / INSIDE BOARDS)
			1SB (10' STANDARD BLACK 120 - 277)	POT (POTENTIOMETER ON GEARTRY)
			6L5W (6' L5-15 WHITE 120V TWIST LOCK)	NL (NIGHTLIGHT RED LEDS)
			6L5B (6' L5-15 BLACK 120V TWIST LOCK)	NV (NIGHTVISION IR LEDS)
			1L5W (10' L5-15 WHITE 120V TWIST LOCK)	IMS (INTERNAL MICROWAVE SENSOR)
			1L5B (10' L5-15 BLACK 120V TWIST LOCK)	DIMS (DRIVER INTEGRATED MICROWAVE SENSOR)
			6L6W (6' L6-15 WHITE 240V TWIST LOCK)	OCC (OCCUPANCY SENSOR)
			6L6B (6' L6-15 BLACK 240V TWIST LOCK)	BLD (BI-LEVEL DIMMING)
			1L6W (10' L6-15 WHITE 240V TWIST LOCK)	PHO (PHOTOCELL)
			1L6B (10' L6-15 BLACK 240V TWIST LOCK)	EM (EMERGENCY BATTERY BACKUP)
			6L7W (6' L7-15 WHITE 277V TWIST LOCK)	
			6L7B (6' L7-15 BLACK 277V TWIST LOCK)	
			1L7W (10' L7-15 WHITE 277V TWIST LOCK)	
			1L7B (10' L7-15 BLACK 277V TWIST LOCK)	
			6FW (6' FLEXIBLE WHIP)	

+ *Standard Options*



ETL CLASSIFIED



ETL CLASSIFIED



Made in Illinois

