

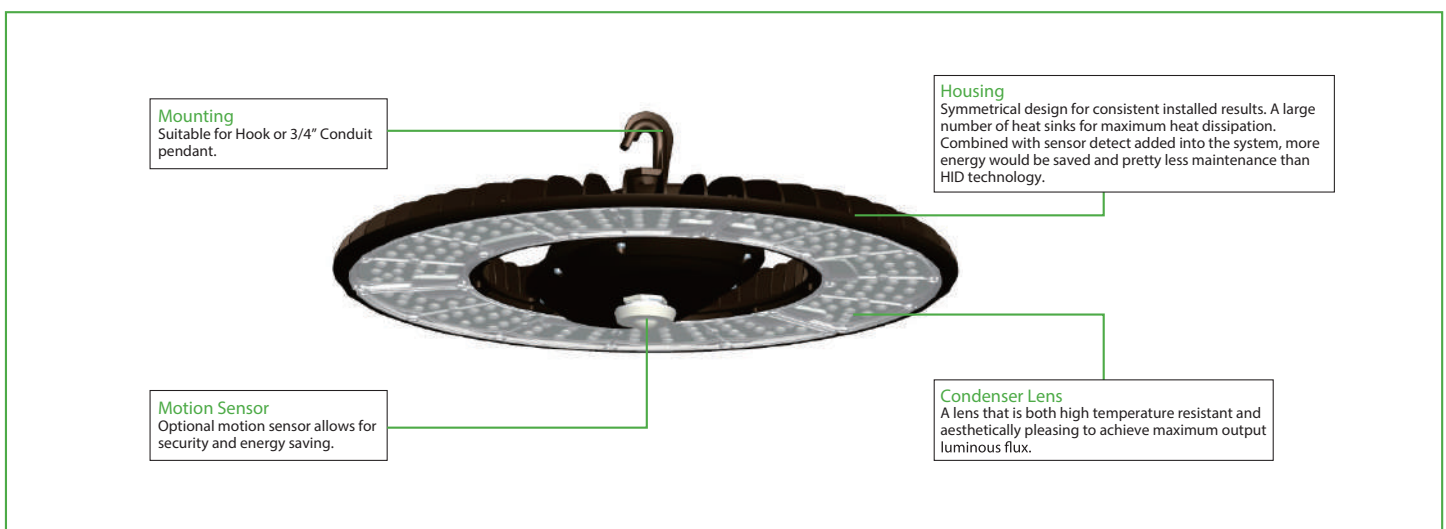
Applications:

- Commercial
- Retail
- Institutional applications
- Gymnasiums
- Factories
- Warehouses



Features

- Efficacy higher than 143lm/w, designed to replace 750W and 1000W HID while consumes 250W and 350W.
- Open the drive compartment cover from below to facilitate inspection and assembly.
- 120 degree lens guarantees light intensity and light uniformity.
- Hook(default included) or Conduit pendant way for different applications.
- Optional motion sensor can be offered for maximizing energy savings.
- Operating temperature is -40°C to 55°C (-40°F to 131°F).
- Resistant to shock and vibration.

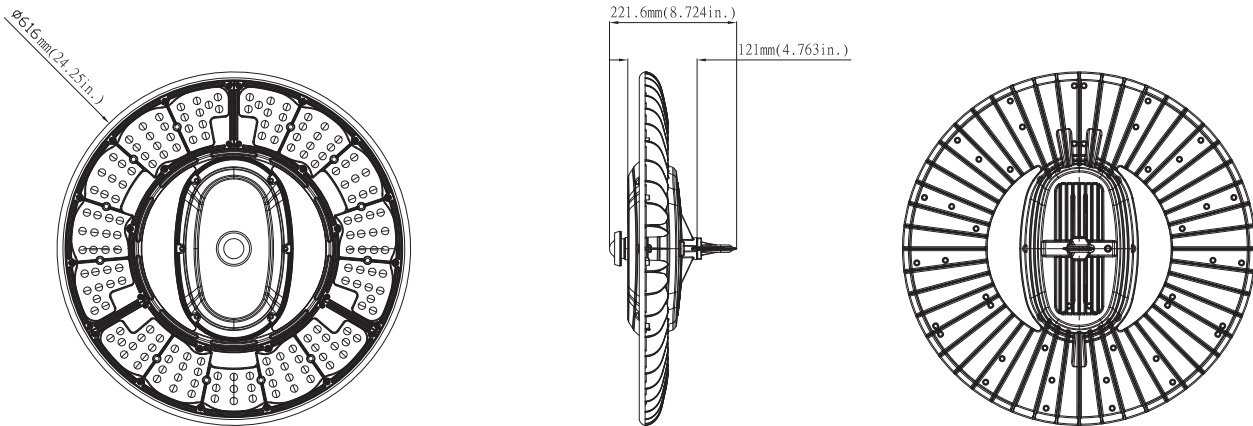


PERFORMANCE DATA

		4000K(70CRI)		5000K(70CRI)	
SYSTEM WATTS	VOLTAGE	LUMENS	LPW	LUMENS	LPW
250W	120-277VAC/347-480V	36000lm	144lm/W	36000lm	144lm/W
350W	120-277VAC/347-480V	50000lm	143lm/W	50000lm	143lm/W

DIMENSION

unit: inch/mm


ORDERING GUIDE

Example: SHB05250W27V50KD

Fixture Type	Wattage	Voltage	CCT	Finish	Sensor (Option)	Internal Code
<input type="text"/>	<input type="text"/>	<input type="text"/>	<input type="text"/>	<input type="text"/>	<input type="text"/>	<input type="text"/>
SHB05 High Bay	250 250W 350 350W	27V 120-277V 48V 347-480V	40K 4000K 50K 5000K	D Dark Bronze B Black W White	M With Sensor Blank Without Sensor	Blank Alphanumeric