

Applications:

- Commercial
- Retail
- Institutional applications
- Gymnasiums
- Factories
- Warehouses



Features

- Sealed die-casting profile for indoor and outdoor applications.
- Universal voltage of 120-277V&347-480V.
- 1-10V dimming standard for a dimming range of 100% to 10%.
- Best choice for replacing 250W MH and 400W MH.
- Above 80 color rendition index compared to HPS.
- Increase energy savings with bi-level motion sensor.
- Optional emergency battery to serve in accidental situation.
- Operating temperature is -40°C to 50°C (-40°F to 122°F).
- Hook mount, pendant mount and surface mount available.

67W&97W



140W



180W&215W



Housing

Die-cast aluminum housing with heat dissipating fins. Sealed design with silicone strip for use in wet locations.

Photometry

High Bay Photometry formed from high efficiency LEDs and scattering diffuser.

Installation accessory

Available for both hook mounting and surface mounting with bracket(optional). Bracket allows to adjust the direction to illuminate any area you need.

Emergency battery box

Emergency battery pack would provide the necessary brightness in emergency situations. Applicable ambient temperature is 10 C (50 F) to 40 C (104 F).

Motion sensor(by 1/2 knockout)

Optional motion sensor allows for security and energy saving.



PERFORMANCE DATA

SYSTEM WATTS	PHOTOMETRY	VOLTAGE	4000K(80CRI)		5000K(80CRI)	
			LUMENS	LPW	LUMENS	LPW
67W	High Bay	120-277VAC	9100lm	136lm/W	9100lm	136lm/W
97W	High Bay	120-277VAC	12300lm	127lm/W	12300lm	127lm/W
140W	High Bay	120-277VAC/347-480V	17500lm	125lm/W	17500lm	125lm/W
180W	High Bay	120-277VAC	24500lm	136lm/W	24500lm	136lm/W
215W	High Bay	120-277VAC	30000lm	140lm/W	30000lm	140lm/W

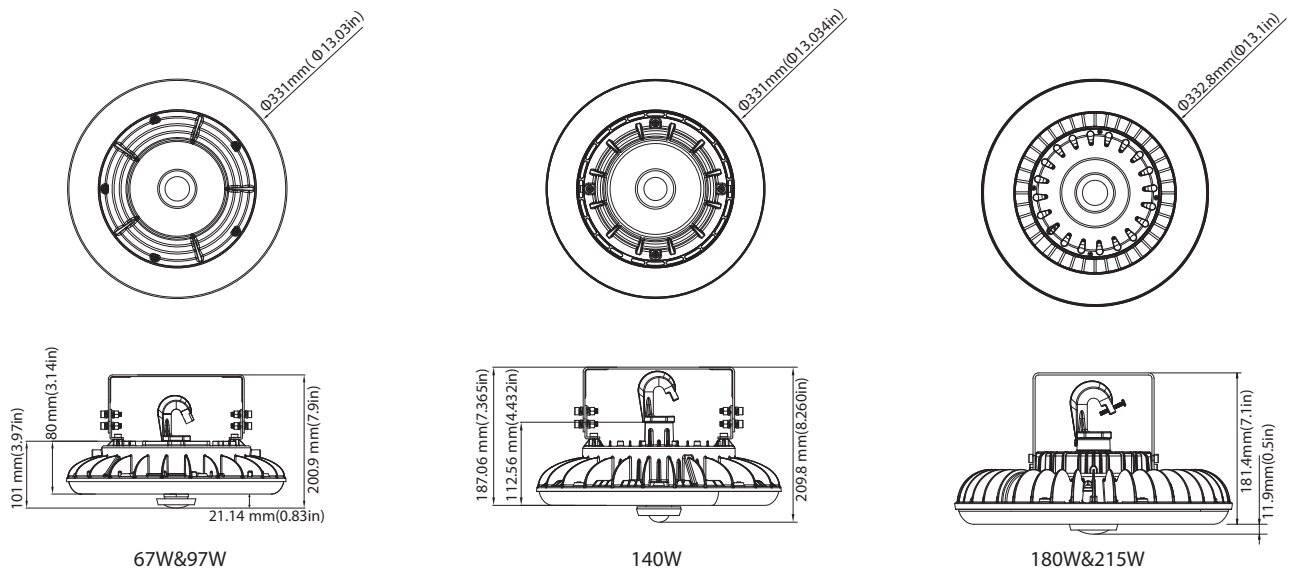
ELECTRICAL DATA

Number Of Drivers	Driver Current (mA)	Nominal Power (W)	INPUT VOLTAGE (V)	CURRENT (Amps)
1	1080	67	120	0.56
		67	208	0.32
		67	240	0.28
		67	277	0.24
1	2500	97	120	0.81
		97	208	0.47
		97	240	0.40
		97	277	0.35
2	3300	140	120	1.17
		140	208	0.67
		140	240	0.58
		140	277	0.51
	3400	140	347	0.40
		140	480	0.29
1	930	180	120	1.50
		180	208	0.87
		180	240	0.75
		180	277	0.65
1	1065	215	120	1.79
		215	208	1.03
		215	240	0.90
		215	277	0.78

DIMENSION

unit: inch/mm

Weight:
 67W: 5.71 lbs(2.59kg) 97W: 5.95 lbs(2.7kg)
 140W: 6.00 lbs(2.723kg) 180W: 6.61 lbs(3.0kg) 215W: 6.61 lbs(3.0kg)

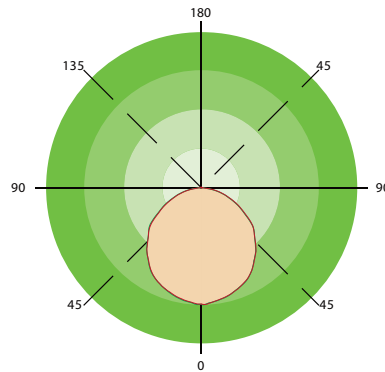


ACCESSORIES

 <p>Motion Sensor Integrated motion sensor available for on/off and dimming control for maximum energy savings.</p>	 <p>Emergency Box Emergency battery pack would provide the necessary brightness in emergency situations. Applicable ambient temperature is 10°C (50°F to 40°C (104°F).</p>	 <p>U-bracket Use for surface mounting application. Available to adjust the angle of SHB06 to control the direction of irradiation. Two sizes for choosing to adapt two different struct.</p>
---	--	---

PHOTOMETRICS

General



ORDERING GUIDE

Example: SHB06140W27V50KB

Fixture Type	Wattage	Voltage	CCT	Finish	Sensor (Option)	Backup Battery (Option)	Internal Code
<input type="text"/>	<input type="text"/>	<input type="text"/>	<input type="text"/>	<input type="text"/>	<input type="text"/>	<input type="text"/>	<input type="text"/>
SHB06	67 67W	27V 120-277V	40K 4000K	B Black	M With Sensor	B Emergency Battery	Blank
High Bay Series	97 97W 140 140W 180 180W 215 215W	48V 347-480V	50K 5000K	D Dark Bronze W White	Blank Without Sensor	Blank Without Emergency Battery	Alphanumeric

Note: 1. 67W, 97W, 180W and 215W are only for 120-277V.

2. Emergency Battery is not available for 180W and 215W.