

Short Specification:

The Advantage Vaportight fixtures are approved for use in vandal-resistant, dust, wet and spray-down locations. This series was designed with electrical distributors for the demands of any job requiring vaportight capabilities. This fixture also comes with parts other companies charge for as upgrades. For more information, contact your Louvers International sales representative today.



Made in the U.S.A.



Applications:

Intended for low to medium mounting heights where dust, humidity and moisture are present. Use this fixture in:

- Barns
- Car Washes
- Farms
- Food Processing
- Laundry Facilities
- Parking Garages
- Sports Arenas
- Stairwells
- Subways
- Temporary Construction Lighting
- Tunnels
- Walk-In Freezers
- Wash Bays

*Certain chemicals can diminish the integrity of polycarbonate. Please check the Chemical Compatibility table prior to installation.

Specifications/Features:

- Our fixtures only use 4' lamps for ease of installation (except in 2' fixture)
- UL listed
- IP-66 rated
- Certified NSF/ANSI 2 – Light Fixture for Splash Zone and Non Food Zone
- CE listed
- UV stabilized polycarbonate linear prismatic lens
- Polycarbonate body
- Wide, quick-release stainless steel latches
- Stainless steel mounting brackets allow for various mounting options
- Quick-release 304 stainless steel gear tray clips
- Advance -20° universal ballasts with 5 year warranty
- Knockouts for 1/2" conduit on back and sides
- Includes luminaire disconnect

Options:

- Lamps: 1, 2, 3, 4, 5 or 6 lamp setup for T5, T8 or LED tubes installed*
- Miro 4 reflector to increase lumen output or for down light application
- Griplocking mounting systems
- Emergency Ballast
- Occupancy Sensor
- Liquid Tight Connector
- Cord & Plug in 2', 4' or 6' lengths
- 8' lamps are not an option

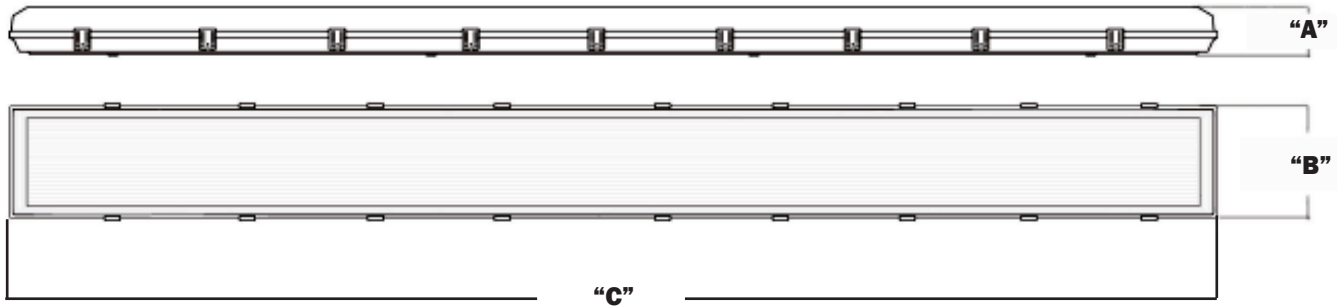
* Not all lamp quantities available for all options.



ADVANTAGE SERIES

Vaportight Fixtures

Short Specification:

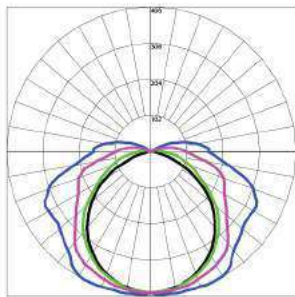


MODEL	ADV-2	ADV-4	ADV-4S	ADV-4M	ADV-4W	ADV-8
"A" Dimension	4 1/4"	4 1/4"	4 1/4"	4 1/4"	4 1/4"	4 1/4"
"B" Dimension	6 1/4"	6 1/4"	4 1/4"	10"	17"	6 1/4"
"C" Dimension	26 3/4"	50"	50"	50"	50"	102 1/4"

Photometrics:

Advantage 2' Vaportight

Polar Candela Distribution



■ - Vertical Plane Through Horizontal Angles (0°-180°)
 ■ - Vertical Plane Through Horizontal Angles (22.5°-202.5°)
 ■ - Vertical Plane Through Horizontal Angles (45°-225°)
 ■ - Vertical Plane Through Horizontal Angles (90°-270°)
 Maximum Candela = 407.8
 Located At Horizontal Angle = 90°, Vertical Angle = 25°

ADV2-2T8-20 used for test

White Interior and Clear Prismatic Lens

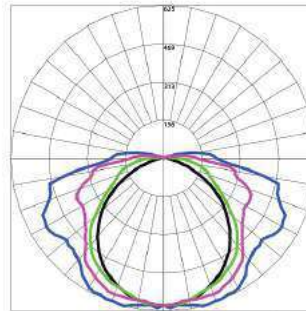
Lamps Used: Two 17 Watt T8
Lamp Output: 1375 Lumens/lamp
Input Wattage: 27
Photometry: Type C
CIE Class: Direct
Test: 25755
Test Lab: Lighting Sciences, Inc.

Zonal Lumen Summary

Zone	Lumens	% Lamp	% Fixt.
0-20	148.55	5.4	8.8
0-30	322.75	11.7	19.1
0-40	541.8	19.7	32
0-60	1005.87	36.6	59.4
0-80	1408.01	51.2	83.2
0-90	1530.04	55.6	90.4
10-90	1492.11	54.3	88.2
20-40	393.26	14.3	23.2
20-50	626.82	22.8	37
40-70	684.19	24.9	40.4
60-80	402.14	14.6	23.8
70-80	182.01	6.6	10.8
80-90	122.03	4.4	7.2
90-110	138.12	5.0	8.2
90-120	158.87	5.8	9.4
90-130	161.97	5.9	9.6
90-150	162.2	5.9	9.6
90-180	162.2	5.9	9.6
110-180	24.08	0.9	1.4
0-180	1692.24	61.5	100

Total Luminaire Efficiency: 61.50%

Polar Candela Distribution



■ - Vertical Plane Through Horizontal Angles (0°-180°)
 ■ - Vertical Plane Through Horizontal Angles (22.5°-202.5°)
 ■ - Vertical Plane Through Horizontal Angles (45°-225°)
 ■ - Vertical Plane Through Horizontal Angles (90°-270°)
 Maximum Candela = 940.6
 Located At Horizontal Angle = 90°, Vertical Angle = 25°

ADV2-2T5-20 used for test

White Interior and Clear Prismatic Lens

Lamps Used: Two 24 Watt T5HO
Lamp Output: 1800 Lumens/lamp
Input Wattage: 35
Photometry: Type C
CIE Class: Direct
Test: 25756

Zonal Lumen Summary

Zone	Lumens	% Lamp	% Fixt.
0-20	224.71	6.2	8.7
0-30	489.82	13.6	18.9
0-40	821.66	22.8	31.8
0-60	1538.1	42.7	59.5
0-80	2216.86	61.6	85.7
0-90	2418.95	67.2	93.5
10-90	2361.88	65.6	91.3
20-40	596.95	16.6	23.1
20-50	950.88	26.4	36.8
40-70	1078.59	30.0	41.7
60-80	678.77	18.9	26.2
70-80	316.61	8.8	12.2
80-90	202.08	5.6	7.8
90-110	150.93	4.2	5.8
90-120	163.69	4.5	6.3
90-130	166.39	4.6	6.4
90-150	167.08	4.6	6.5
90-180	167.08	4.6	6.5
110-180	16.15	0.4	0.6
0-180	2586.02	71.8	100

Total Luminaire Efficiency: 71.80%

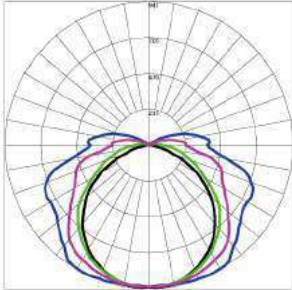
ADVANTAGE SERIES

Vaportight Fixtures

Photometrics:

Advantage 4' Vaportight

Polar Candela Distribution



■ - Vertical Plane Through Horizontal Angles (0°-180°)
 ■ - Vertical Plane Through Horizontal Angles (22.5°-202.5°)
 ■ - Vertical Plane Through Horizontal Angles (45°-225°)
 ■ - Vertical Plane Through Horizontal Angles (90°-270°)
 Maximum Candela = 940.6
 Located At Horizontal Angle = 90°, Vertical Angle = 25°

ADV4-2T8-20 used for test

White Interior and Clear Prismatic Lens

Lamps Used: Two 32Watt T8

Lamp Output: 2950 Lumens/lamp

Input Wattage: 51

Photometry: Type C

CIE Class: Semi-Direct

Test: 25082

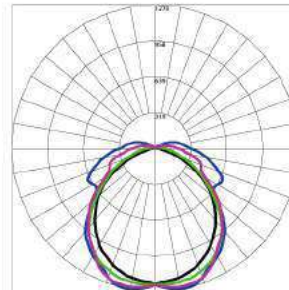
Test Lab: Lighting Sciences, Inc.

Zonal Lumen Summary

Zone	Lumens	% Lamp	% Fixt.
0-20	347.52	5.9	8.5
0-30	757.19	12.8	18.6
0-40	1278.2	21.7	31.4
0-60	2385.88	40.4	58.6
0-80	3335.87	56.5	82
0-90	3623.82	61.4	89.1
10-90	355.39	59.9	86.9
20-40	930.68	15.8	22.9
20-50	1492.31	25.3	36.7
40-70	1622.13	27.5	39.9
60-80	949.99	16.1	23.4
70-80	435.53	7.4	10.7
80-90	287.95	4.9	7.1
90-110	364.06	6.2	8.9
90-120	424.51	7.2	10.4
90-130	439.98	7.5	10.8
90-150	444.53	7.5	10.9
90-180	444.57	7.5	10.9
110-180	80.51	1.4	2
0-180	4068.39	69	100

Total Luminaire Efficiency: 69.0%

Polar Candela Distribution



■ - Vertical Plane Through Horizontal Angles (0°-180°)
 ■ - Vertical Plane Through Horizontal Angles (22.5°-202.5°)
 ■ - Vertical Plane Through Horizontal Angles (45°-225°)
 ■ - Vertical Plane Through Horizontal Angles (90°-270°)
 Maximum Candela = 940.6
 Located At Horizontal Angle = 90°, Vertical Angle = 25°

ADV4-2T8-20 used for test

Miro 4 Reflector and Clear Prismatic Lens

Lamps Used: Two 32 Watt T8

Lamp Output: 2800Lumens/lamp

Input Wattage: 50

Photometry: Type C

CIE Class: Direct

Test: 23086

Test Lab: Lighting Sciences, Inc.

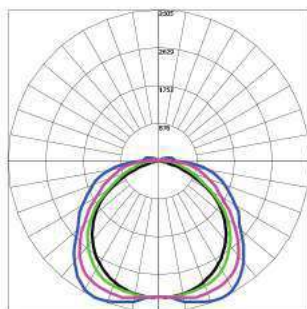
Zonal Lumen Summary

Zone	Lumens	% Lamp	% Fixt.
0-20	464.68	8.3	11
0-30	990.88	17.7	23.4
0-40	1620.81	28.9	38.3
0-60	2800.68	50	66.1
0-80	3649.44	65.2	86.2
0-90	3902.72	69.7	92.2
10-90	3785.04	67.6	89.4
20-40	1156.13	20.6	27.3
20-50	1790.81	32	42.3
40-70	1654.12	29.5	39.1
60-80	848.76	15.2	20
70-80	374.51	6.7	8.8
80-90	253.27	4.5	6
90-110	265.49	4.7	6.3
90-120	315.2	5.6	7.4
90-130	328.77	5.9	7.8
90-150	332.01	5.9	7.8
90-180	332.01	5.9	7.8
110-180	66.52	1.2	1.6
0-180	4234.73	75.6	100

Total Luminaire Efficiency: 75.60%

Advantage 4' Medium Vaportight

Polar Candela Distribution



■ - Vertical Plane Through Horizontal Angles (0°-180°)
 ■ - Vertical Plane Through Horizontal Angles (22.5°-202.5°)
 ■ - Vertical Plane Through Horizontal Angles (45°-225°)
 ■ - Vertical Plane Through Horizontal Angles (90°-270°)
 Maximum Candela = 3,505.0
 Located At Horizontal Angle = 90°, Vertical Angle = 25°

ADV4M-4T5-20 used for test

Miro 4 Reflector and Clear Prismatic Lens

Lamps Used: Four 54 Watt T5 HO

Lamp Output: 4500 Lumens/lamp

Ballast Used: One ADVANCE ICN-4S54-90C-2LS

Input Wattage: 197

Photometry: Type C

CIE Class: Direct

Test: 25751

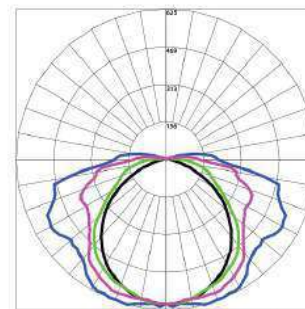
Test Lab: Lighting Sciences, Inc.

Zonal Lumen Summary

Zone	Lumens	% Lamp	% Fixt.
0-20	1223.42	6.8	10.4
0-30	2709.21	15.1	23.0
0-40	4579.81	25.4	39.0
0-60	8284.04	46.0	70.5
0-80	10687.6	59.4	90.9
0-90	11257.8	62.5	95.8
10-90	10953.4	60.9	93.2
20-40	3356.39	18.6	28.6
20-50	5308.45	29.5	45.2
40-70	5102.95	28.3	43.4
60-80	2403.58	13.4	20.4
70-80	1004.86	5.6	8.5
80-90	570.2	3.2	4.9
90-110	382.83	2.1	3.3
90-120	470.56	2.6	4
90-130	492.08	2.7	4.2
90-150	497.87	2.8	4.2
90-180	498.14	2.8	4.2
110-180	115.31	0.6	1.0
0-180	11756.0	65.3	100

Total Luminaire Efficiency: 65.30%

Polar Candela Distribution



■ - Vertical Plane Through Horizontal Angles (0°-180°)
 ■ - Vertical Plane Through Horizontal Angles (22.5°-202.5°)
 ■ - Vertical Plane Through Horizontal Angles (45°-225°)
 ■ - Vertical Plane Through Horizontal Angles (90°-270°)
 Maximum Candela = 940.6
 Located At Horizontal Angle = 90°, Vertical Angle = 25°

ADV2-2T5-20 used for test

White Interior and Clear Prismatic Lens

Lamps Used: Two 24 Watt T5HO

Lamp Output: 1800 Lumens/lamp

Input Wattage: 35

Photometry: Type C

CIE Class: Direct

Test: 25756

Zonal Lumen Summary

Zone	Lumens	% Lamp	% Fixt.
0-20	992.29	8.4	12.5
0-30	2090.13	17.7	26.2
0-40	3376.78	28.6	42.4
0-60	5722.91	48.5	71.8
0-80	7143.19	60.5	89.7
0-90	7483.33	63.4	93.9
10-90	7225.51	61.2	90.7
20-40	2384.48	20.2	29.9
20-50	3642.09	30.9	45.7
40-70	3198.74	27.1	40.2
60-80	1420.28	12.0	17.8
70-80	567.67	4.8	7.1
80-90	340.15	2.9	4.3
90-110	398.66	3.4	5.0
90-120	467.4	4.0	5.9
90-130	479.63	4.1	6.0
90-150	482.74	4.1	6.1
90-180	482.91	4.1	6.1
110-180	84.25	0.7	1.1
0-180	7966.25	67.5	100

Total Luminaire Efficiency: 67.50%

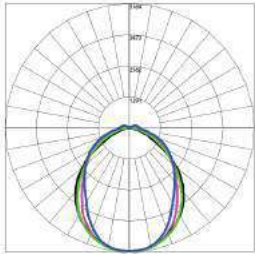
ADVANTAGE SERIES

Vaportight Fixtures

Photometrics:

Advantage 4' Wide Vaportight

Polar Candela Distribution



■ - Vertical Plane Through Horizontal Angles (0°-180°)
 ■ - Vertical Plane Through Horizontal Angles (22.5°-202.5°)
 ■ - Vertical Plane Through Horizontal Angles (45°-225°)
 ■ - Vertical Plane Through Horizontal Angles (90°-270°)
 Maximum Candela = 5163.9
 Located At Horizontal Angle = 90°, Vertical Angle = 25°

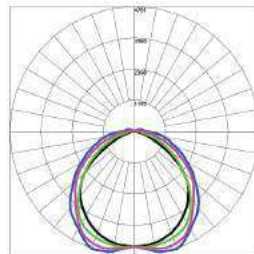
ADV4W-6T8-20 used for test
 Miro 4 Reflector and Clear Prismatic Lens
 Lamps Used: Six 32 Watt T8
 Ballast Used: Two ADVANCE IOPA-3P32-SC
 Lamp Output: 2950 Lumens/lamp
 Input Wattage: 154
 Photometry: Type C
 CIE Class: Direct
 Test: 25752
 Test Lab: Lighting Sciences, Inc.

Zonal Lumen Summary

Zone	Lumens	% Lamp	% Fixt.
0-20	1717.89	6.40	11.90
0-30	3731.35	13.80	25.80
0-40	6136.84	22.70	42.40
0-60	10738.88	39.80	74.20
0-80	13353.26	49.50	92.20
0-90	13913.89	51.50	96.10
10-90	13484.89	49.90	93.10
20-40	4418.96	16.40	30.50
20-50	6873.74	25.50	47.50
40-70	6199.47	23.00	42.80
60-80	2614.38	9.70	18.10
70-80	1016.95	3.80	7.00
80-90	560.63	2.10	3.90
90-110	427.22	1.60	3.00
90-120	526.28	1.90	3.60
90-130	561.65	2.10	3.90
90-150	568.05	2.10	3.90
90-180	568.05	2.10	3.90
110-180	140.84	0.50	1.00
0-180	14481.94	53.60	100

Total Luminaire Efficiency: 53.60%

Polar Candela Distribution



■ - Vertical Plane Through Horizontal Angles (0°-180°)
 ■ - Vertical Plane Through Horizontal Angles (22.5°-202.5°)
 ■ - Vertical Plane Through Horizontal Angles (45°-225°)
 ■ - Vertical Plane Through Horizontal Angles (90°-270°)
 Maximum Candela = 4780.7
 Located At Horizontal Angle = 90°, Vertical Angle = 25°

ADV4W-6T5-20 used for test
 Miro 4 Reflector and Clear Prismatic Lens
 Lamps Used: Six 54 Watt T5 HO
 Ballast Used: Two ADVANCE ICN-4S54-90-2LS
 Lamp Output: 4500 Lumens/lamp
 Input Wattage: 292
 Photometry: Type C
 CIE Class: Direct
 Test: 25753
 Test Lab: Lighting Sciences, Inc.

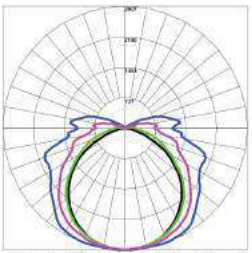
Zonal Lumen Summary

Zone	Lumens	% Lamp	% Fixt.
0-20	1861.43	10.5	14.3
0-30	3835.91	21.7	29.5
0-40	6032.0	34.1	46.4
0-60	9978.87	56.4	76.7
0-80	12130.0	68.5	93.2
0-90	12491.3	70.6	96.0
10-90	12004.0	67.8	92.2
20-40	4170.56	23.6	32.1
20-50	6295.72	35.6	48.4
40-70	5295.35	29.9	40.7
60-80	2151.1	12.2	16.5
70-80	802.62	4.5	6.2
80-90	361.63	2.0	2.8
90-110	400.76	2.3	3.1
90-120	487.42	2.8	3.7
90-130	515.92	2.9	4.0
90-150	521.12	2.9	4.0
90-180	521.12	2.9	4.0
110-180	120.36	0.7	0.9
0-180	13012.5	73.5	100

Total Luminaire Efficiency: 73.50%

Advantage 8' Vaportight

Polar Candela Distribution



■ - Vertical Plane Through Horizontal Angles (0°-180°)
 ■ - Vertical Plane Through Horizontal Angles (22.5°-202.5°)
 ■ - Vertical Plane Through Horizontal Angles (45°-225°)
 ■ - Vertical Plane Through Horizontal Angles (90°-270°)
 Maximum Candela = 2906.6
 Located At Horizontal Angle = 90°, Vertical Angle = 25°

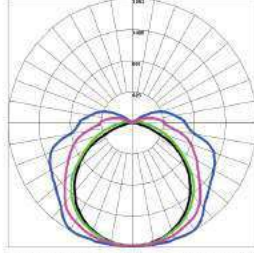
ADV8-4T5-20 used for test
 White Interior and Clear Prismatic Lens
 Lamps Used: Four 54 Watt T5 HO
 Lamp Output: 4500 Lumens/lamp
 Ballast Used: One ADVANCE ICN-4S54-90C-2LS-G
 Input Wattage: 205
 Photometry: Type C
 CIE Class: Semi-Direct
 Test: 25081
 Test Lab: Lighting Sciences, Inc.

Zonal Lumen Summary

Zone	Lumens	% Lamp	% Fixt.
0-20	1078.76	6.0	8.8
0-30	2340.37	13.0	19.2
0-40	3922.51	21.8	32.1
0-60	7223.69	40.1	59.2
0-80	9866.46	54.8	80.8
0-90	10685.6	59.4	87.5
10-90	10410.4	57.8	85.3
20-40	2843.75	15.8	23.3
20-50	4532.63	25.2	37.1
40-70	4745.0	26.4	38.9
60-80	2642.76	14.7	21.7
70-80	1198.96	6.7	9.8
80-90	819.12	4.6	6.7
90-110	1223.6	6.8	10.0
90-120	1433.65	8.0	11.7
90-130	1499.15	8.3	12.3
90-150	1520.78	8.4	12.5
90-180	1520.97	8.4	12.5
110-180	297.38	1.7	2.4
0-180	12206.6	67.8	100

Total Luminaire Efficiency: 67.80%

Polar Candela Distribution



■ - Vertical Plane Through Horizontal Angles (0°-180°)
 ■ - Vertical Plane Through Horizontal Angles (22.5°-202.5°)
 ■ - Vertical Plane Through Horizontal Angles (45°-225°)
 ■ - Vertical Plane Through Horizontal Angles (90°-270°)
 Maximum Candela = 1980.9
 Located At Horizontal Angle = 90°, Vertical Angle = 25°

ADV8-4T8-20 used for test
 White Interior and Clear Prismatic Lens
 Lamps Used: Four 32 Watt T8
 Lamp Output: 2950 Lumens/lamp
 Ballast Used: One ADVANCE IOPA-4P32-SC
 Input Wattage: 106
 Photometry: Type C
 CIE Class: Semi-Direct
 Test: 25079
 Test Lab: Lighting Sciences, Inc.

Zonal Lumen Summary

Zone	Lumens	% Lamp	% Fixt.
0-20	732.14	6.2	8.7
0-30	1594.23	13.5	18.9
0-40	2683.81	22.7	31.8
0-60	4976.03	42.2	59.0
0-80	6843.65	58.0	81.2
0-90	7425.07	62.9	88.1
10-90	7238.73	61.3	85.9
20-40	1951.67	16.5	23.2
20-50	3114.64	26.4	37.0
40-70	3322.99	28.2	39.4
60-80	1867.62	15.8	22.2
70-80	836.85	7.1	9.9
80-90	581.42	4.9	6.9
90-110	770.07	6.5	9.1
90-120	935.52	7.9	11.1
90-130	989.27	8.4	11.7
90-150	1002.95	8.5	11.9
90-180	1002.97	8.5	11.9
110-180	232.9	2	2.8
0-180	8428.04	71.4	100

Total Luminaire Efficiency: 71.40%

ADVANTAGE SERIES

Vaportight Fixtures

Ordering Information:

PRODUCT	SIZE	FIXTURE TYPE [^]	BALLAST	FINISH	MOUNTING	WIRING	ACCESS.
ADV = No Reflector	2 = 2 ft.	1T5	20 = -20° Start Advance Ballast	GR = Grey	CH = Chain Hang	N = None	N = None
ADV-R = W/ Reflector	2S = 2 ft.	2T5	NB = No Ballast		GPL = Griplock Aircraft Cable	BS = Blank-Sealed Hole	PCL = Polycarb. Latches
	2W = 2 ft.	3T5			248-SSMB = Strap Mount Bracket*	BFC = Black Flexible Cord	OCC = Occupancy Sensor**
	4 = 4ft.	4T5			SM = Surface Mount Bracket	WFC = White Flexible Cord	I 48 = T8 Battery Backup
	4S = 4 ft. slim	5T5				15B	I 320 = T5 Battery Backup
	4M = 4 ft. med.	6T5				15W	
	4W = 4 ft. wide	1T8				65B	
	8 = 8 ft.	2T8				65W	
		3T8				1L5B	
	4T8		1L5W				
	5T8		1L6B				
	6T8		1L6W				
			1L7B				
			1L7W				
			1SB				
			1SW				
			6FW				
			6L5B				
			6L5W				
			6L6B				
			6L6W				
			6L7B				
			6L7W				
			6SB				
			6SW				
			*Not NSF rated with strap mount bracket (SB)		**Not NSF rated with motion sensor		

Indicates most widely used fixture

[^] Please note that not all lamp quantities are available for each model. Consult factory for full details.

Sample Part Number: ADV-4-2T8-20-GR-SM-N-N

Fixture Type Descriptions:

- 1T5 = (1) T5 lamps
- 2T5 = (2) T5 lamps
- 3T5 = (3) T5 lamps
- 4T5 = (4) T5 lamps
- 5T5 = (5) T5 lamps
- 6T5 = (6) T5 lamps
- 1T8 = (1) T8 lamps
- 2T8 = (2) T8 lamps
- 3T8 = (3) T8 lamps
- 4T8 = (4) T8 lamps
- 5T8 = (5) T8 lamps
- 6T8 = (6) T8 lamps

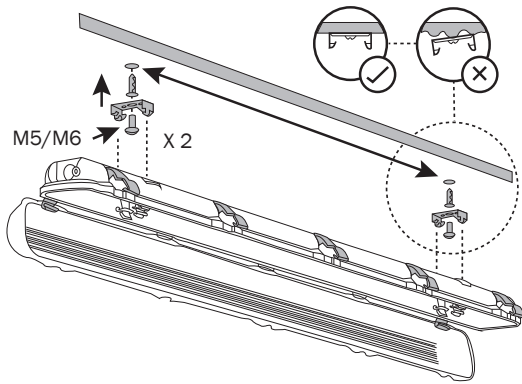
Cord & Plug Descriptions:

- 15B – 10' Black 5-15 Straight Blade Plug
- 15W – 10' White 5-15 Straight Blade Plug
- 65B – 6' Black 5-15 Straight Blade Plug
- 65W – 6' White 5-15 Straight Blade Plug
- 1L5B – 10' L5-15 Black 120V Twist Lock
- 1L5W – 10' L5-15 White 120V Twist Lock
- 1L6B – 10' L6-15 Black 250V Twist Lock
- 1L6W – 10' L6-15 White 250V Twist Lock
- 1L7B – 10' L7-15 Black 277V Twist Lock
- 1L7W – 10' L7-15 White 277V Twist Lock
- 1SB – 10' Standard Black 120/277V (No Plug)
- 1SW – 10' Standard White 120/277V (No Plug)
- 6FW – 6' Flexible Whip
- 6L5B – 6' L5-15 Black 120V Twist Lock
- 6L5W – 6' L5-15 White 120V Twist Lock
- 6L6B – 6' L6-15 Black 250V Twist Lock
- 6L6W – 6' L6-15 White 250V Twist Lock
- 6L7B – 6' L7-15 Black 277V Twist Lock
- 6L7W – 6' L7-15 White 277V Twist Lock
- 6SB – 6' Standard Black 120/277V (No Plug)
- 6SW – 6' Standard White 120/277V (No Plug)

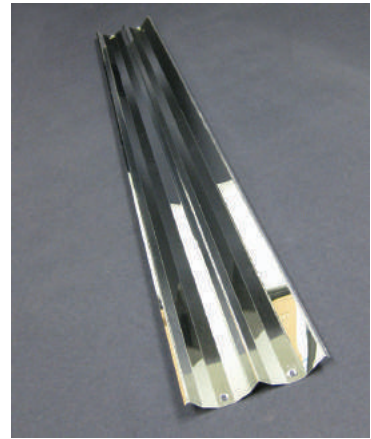
ADVANTAGE SERIES

Vaportight Fixtures

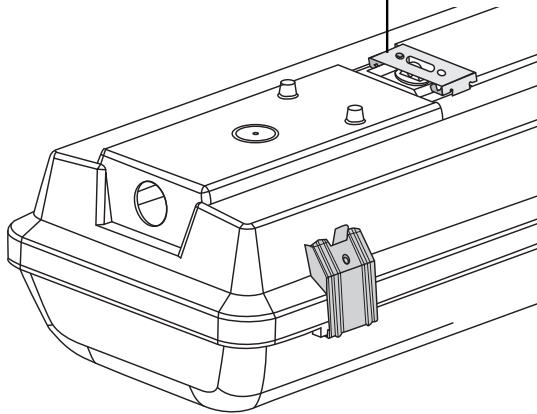
Mounting Information:



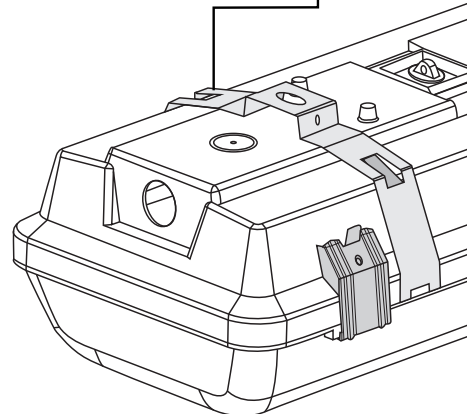
Optional Reflector for greater down light



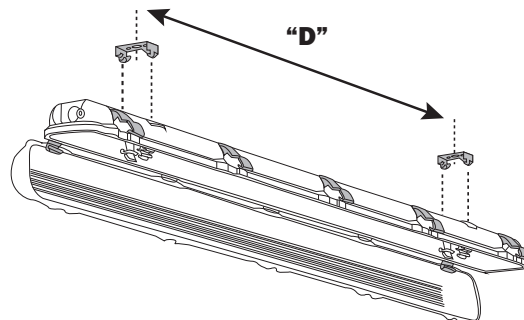
Surface Mounting Bracket (SM Option)



Strap Mounting Bracket (248-SSMB Option)



Measurement from Center of Mounting Bracket to Center of Opposite Mounting Bracket:



MODEL	ADV-2	ADV-4	ADV-4S	ADV-4M	ADV-4W	ADV-8
"D" Dimension	18 1/2"	35 1/2"	35 3/4"	35 3/4"	35 3/4"	43 3/4"