

Short Specification:

LouversLED's series of luminaires was designed and built with high performance, efficiency and cost-effectiveness in mind. LouversLED products provide higher efficacy, longer lifetime and more reliable lighting than other conventional lighting products. The Mustang Highbay is the perfect fixture for use in large buildings with open spaces where cost is the primary concern. But don't let the term "Economy" fool you. Yes, it's aggressively priced, but it's also solidly built and extremely efficient. The diffuser protects the LEDs and softens the light from them. Multiple hanging options and adders like sensors, cords, and battery backup make this the best fixture for many different jobs. This is not your typical LED highbay!

Applications:

- Gymnasiums
- Sports Arenas
- Schools & Universities
- Warehouses

Features

1. ULus & FCC listed; with LM79 & LM80
2. 2ft: 110W MAX & 220W MAX available ; 4ft: 225W MAX & 300W MAX available
3. High luminous efficacy 130lm/W
4. High quality non-isolated driver ; 1-10V dimming; Flicker free
5. PF > 0.90, driver efficiency > 87%; THD < 20%
6. Installation: chain mounting
7. Suitable for dry/damp location
8. Designed for warehouses, gymnasiums, and industrial spaces
9. CCT: 4000K, 5000K & 5700K
10. Five year warranty
11. 10 kV Surge Protection by default
12. Multiple hanging options and adders like sensors, cords, and battery backup



Note

1. The installation and maintenance must be completed by electricians or professionals.
2. Please cut off the power before installation and maintenance.
3. The thermally insulating material is not allowed to cover the fixture.
4. Please keep away from corrosive substances, and keep the fixture dry and clean.
5. Working temperature: -4 °F to 122 °F
Storage temperature: -22 °F to 140 °F



STOCK FIXTURES

Louvers Part #	Lumens	Actual Watts	lm/W	Voltage
MS-THB1-80W-H-40K	10,081	74	135	120-277V
MS-THB1-80W-H-50K	10,258	76	133	120-277V
MS-THB1-110W-H-MV-40K	13,515	103	131	120-347V
MS-THB1-110W-H-MV-50K	13,757	103	133	120-347V
MS-THB2-165W-H-50K	20,681	155	133	120-277V
MS-THB2-165W-H-MV-40K	20,819	157	131	120-347V
MS-THB2-165W-H-MV-50K	21,193	157	134	120-347V
MS-THB5-225W-H-MV-40K	26,911	205	131	120-347V
MS-THB5-225W-H-MV-50K	27,395	205	133	120-347V
MS-THB5-300W-H-50K	40,795	308	132	120-277V

OTHER DLC PREMIUM LISTED OPTIONS - CUSTOM ORDER ONLY

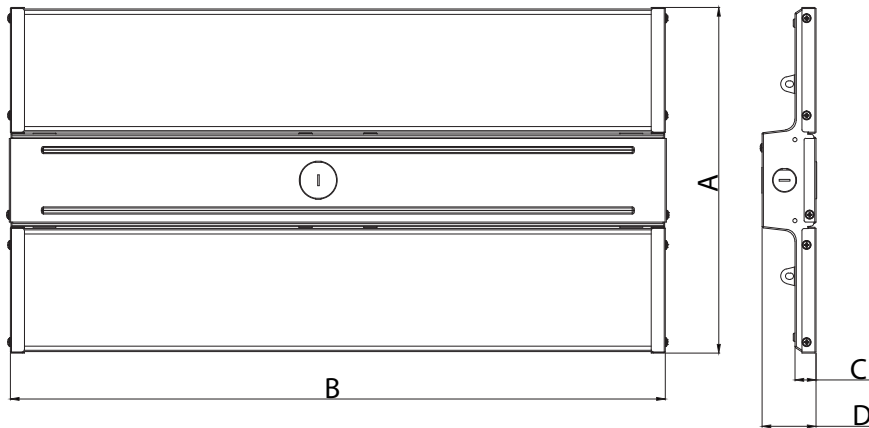
Louvers Part #	Lumens	Actual Watts	lm/W	Voltage
MS-THB1-80W-H-MV-40K	10,282	78	131	120-347V
MS-THB1-80W-H-MV-50K	10,467	78	133	120-347V
MS-THB3-220W-H-40K	29,384	210	139	120-277V
MS-THB3-220W-H-50K	29,493	209	140	120-277V
MS-THB3-220W-H-MV-40K	28,680	207	138	120-347V
MS-THB3-220W-H-MV-50K	29,077	207	140	120-347V
MS-THB5-165W-H-40K	21,010	157	133	120-277V
MS-THB5-165W-H-50K	21,603	158	136	120-277V
MS-THB5-300W-H-40K	40,528	308	131	120-277V
MS-THB5-300W-H-MV-40K	37,090	278	133	120-347V
MS-THB5-300W-H-MV-50K	37,756	278	135	120-347V



Product Options

Item	Part #
Cord/Plug	Varies Contact Salesperson For Options
On/Off Sensor	
Bi-Level Diming	
480 Volt	
Emergency Battery	
Aircraft Cable	LI-GL-HB

Product Dimension

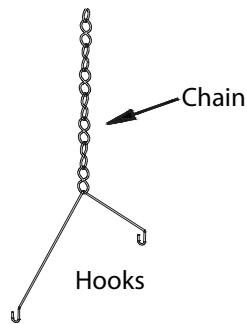


Part No.	A	B	C	D
MS-THB1-80W	9.60 "	23.83 "	0.79 "	1.97 "
MS-THB1-110W				
MS-THB2-165W	12.60 "	23.83 "	0.79 "	1.97 "
MS-THB3-220W	17.32 "	23.83 "	0.79 "	1.97 "
MS-THB5-225W	12.60 "	45.98 "	0.79 "	1.97 "
MS-THB5-300W				

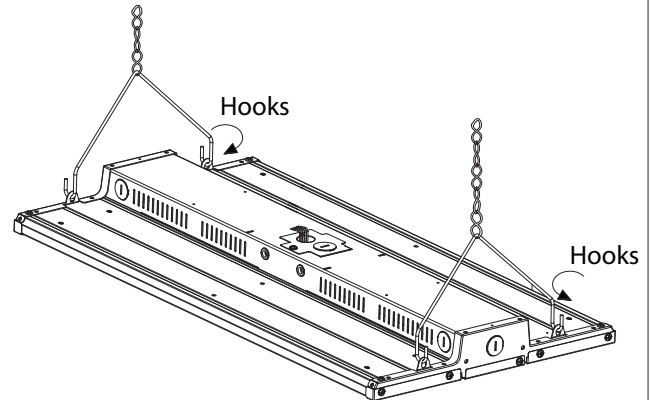


Chain Installation

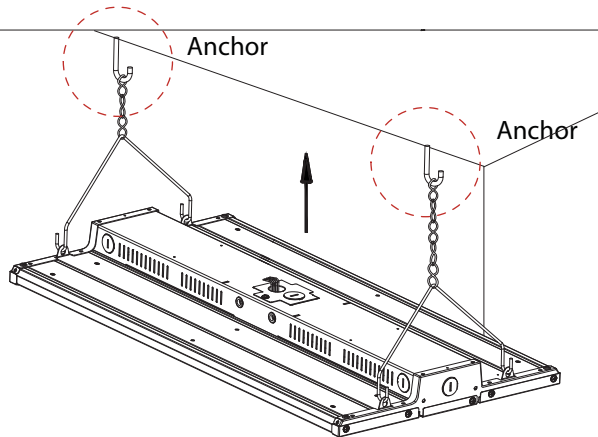
1. Hook the chain as below pic.



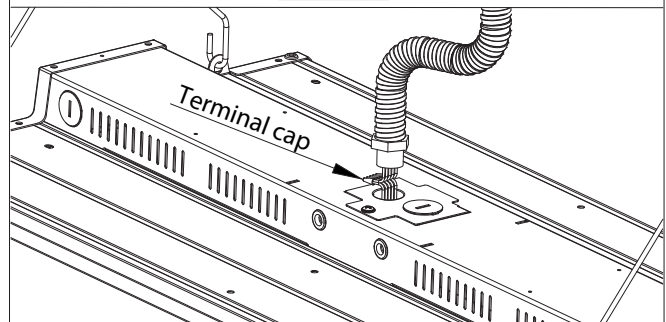
2. Insert the hook into the slotted holes, as shown below.



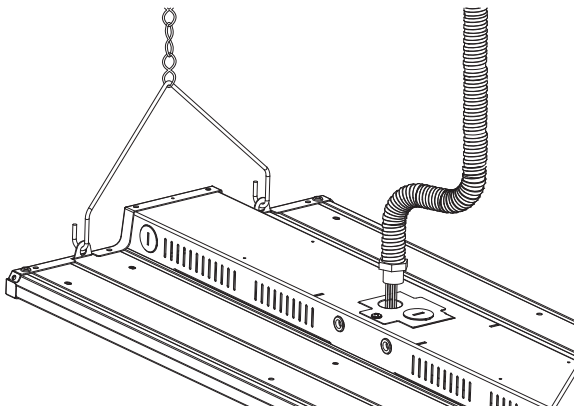
3. Link up the chain on the ceiling anchor.



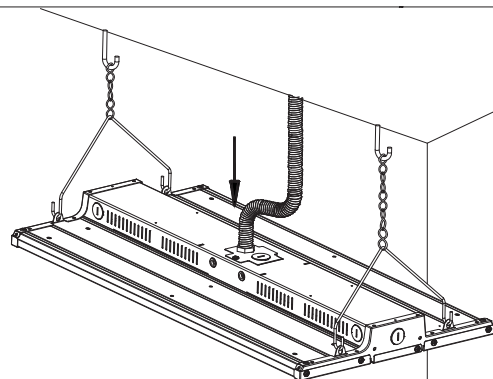
4. Turn off power, and make wiring connections with terminal cap (see wiring instruction below).



5. Insert the terminal cap and wires into the driver box.



6. Insert the wire terminal joint to the wire entry. Installation completed.



Testing Report

