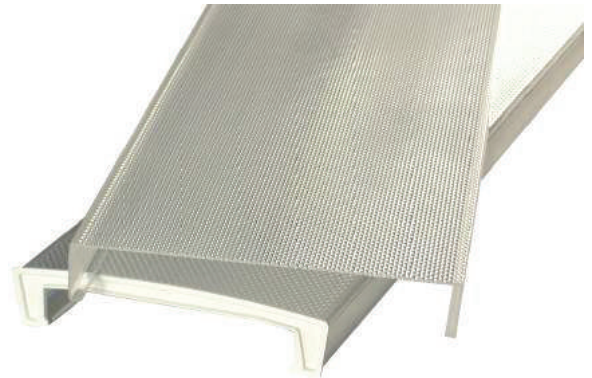


**SHORT SPECIFICATIONS**

Are your lighting diffusers yellow? Broken? Unsalvageable? Replace them with Custom Wrap diffusers! Our custom division has the capability to fabricate nearly any shape imaginable from special brands to custom extrusions - from one piece to a thousand. Louvers International can create Custom Wrap Diffusers using our Para Image Parabolic Louvers.

**FEATURES**

- Encloses existing fixtures
- Over 3,000 shapes available
- Replaces damaged lenses
- Offered in clear prismatic or white



**ORDERING INSTRUCTIONS**

1. Remove the old diffuser and record the following measurements in inches:

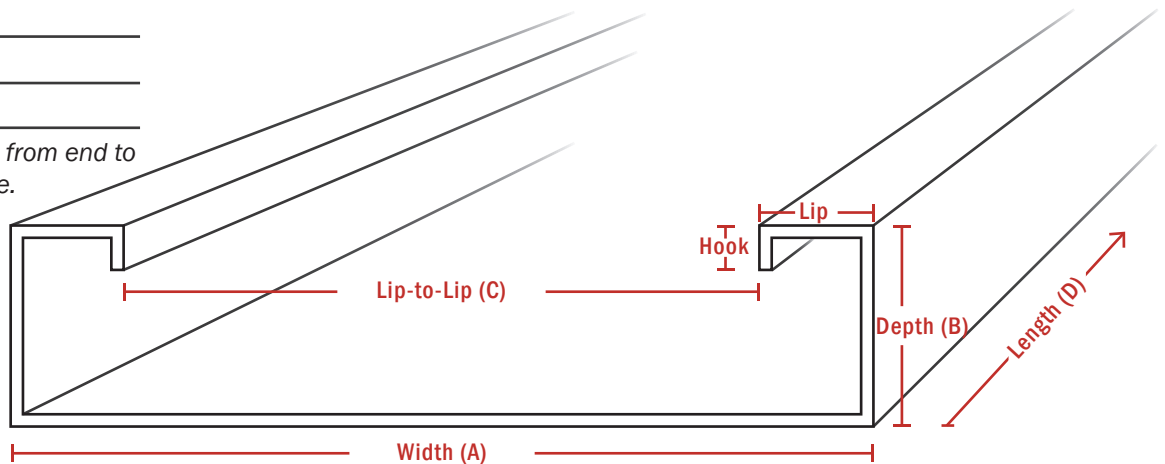
Width (A): \_\_\_\_\_

Depth (B): \_\_\_\_\_

Lip-to-Lip (C): \_\_\_\_\_

Overall Length(D): \_\_\_\_\_

*Precisely measure from end to end along the edge.*

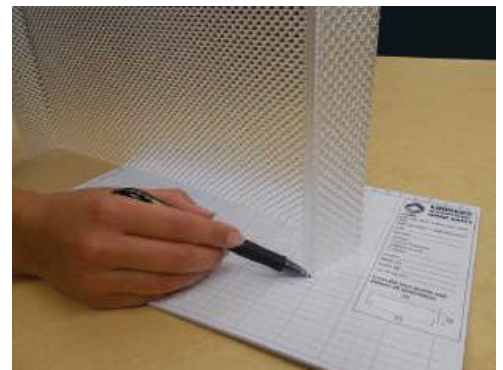


2. Trace the END VIEW of the lens. Make sure the lens is not distorted.

3. Trace the END CAP of the old lens as accurately as possible. If an endcap is present, please include photos of (or the actual) end cap with your order.

4. Send quote request including the following information:

- Quantity
- Material (Clear, Clear Prismatic, White Acrylic, Other: \_\_\_\_\_)
- Measurements from Step 1
- Your illustration of the traced END VIEW or photo of shape, if possible
- Your illustration of the traced END CAP view



**SPECIAL NOTE**

Be sure your illustrations are as accurate as possible. We will produce your order to match the illustrations and measurements, and custom lenses are not returnable. Louvers is not responsible for inaccurate measurements.

