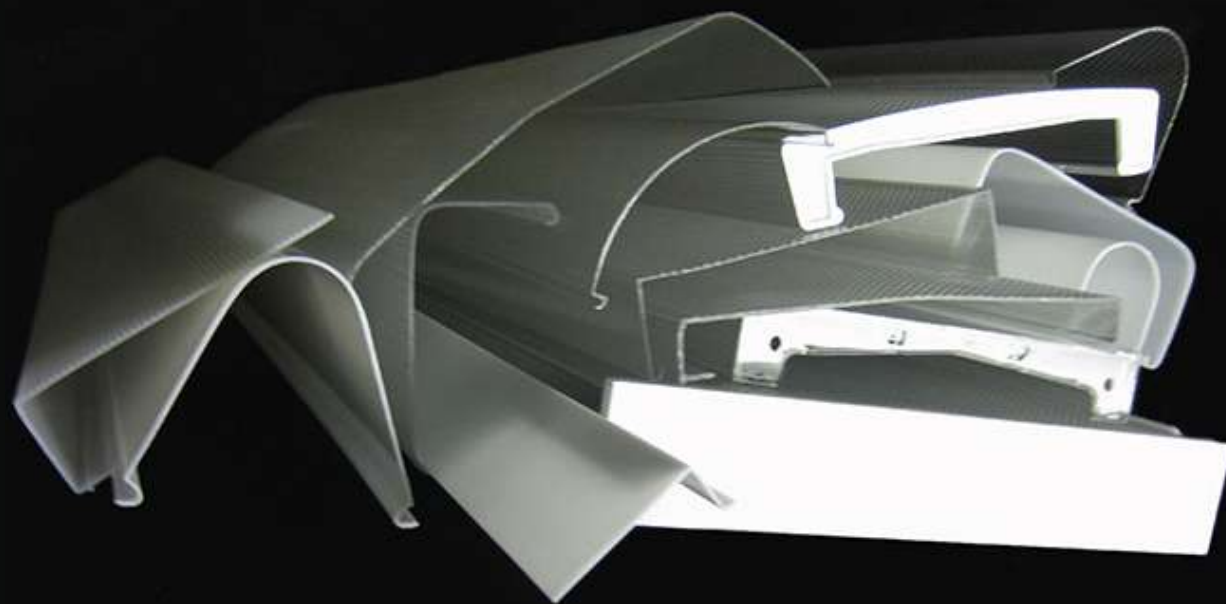


HOW TO MEASURE FOR CUSTOM WRAP DIFFUSERS



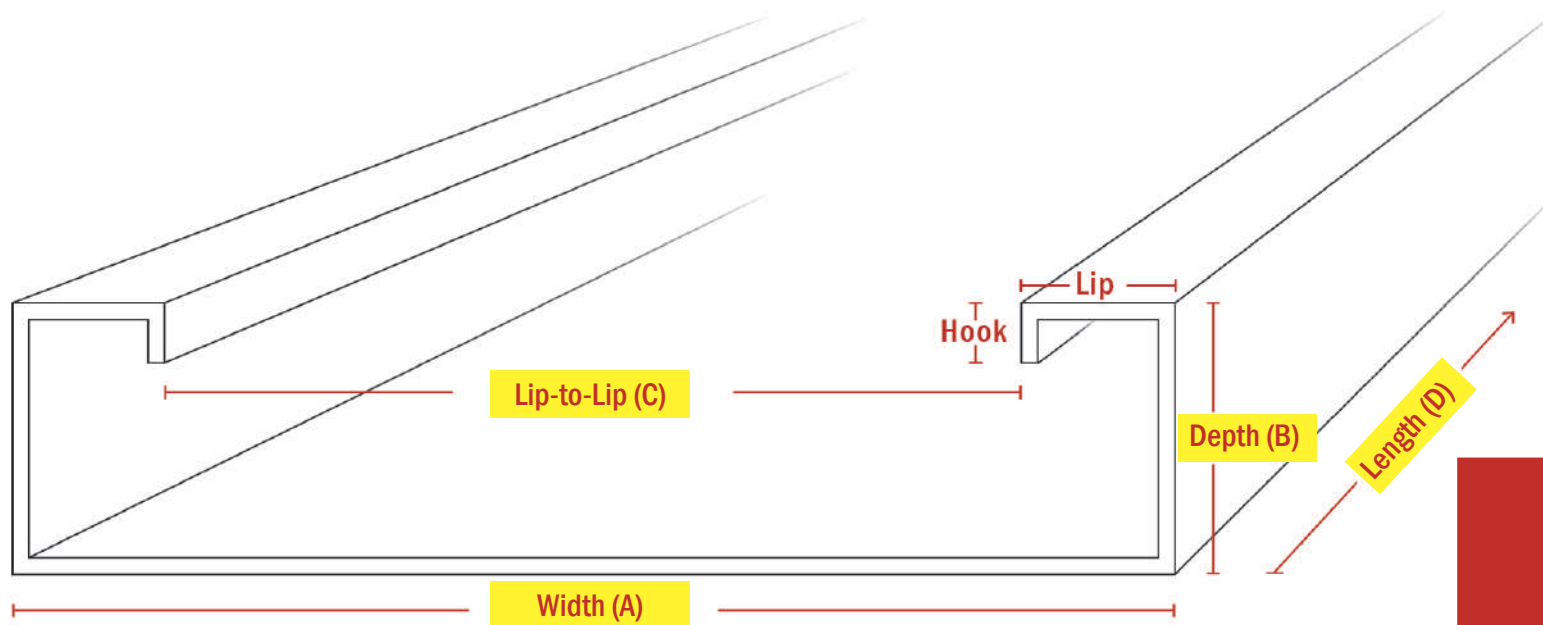
Let's get started...



LOUVERS
INTERNATIONAL

www.louversintl.com

MEASURE AND RECORD IN INCHES

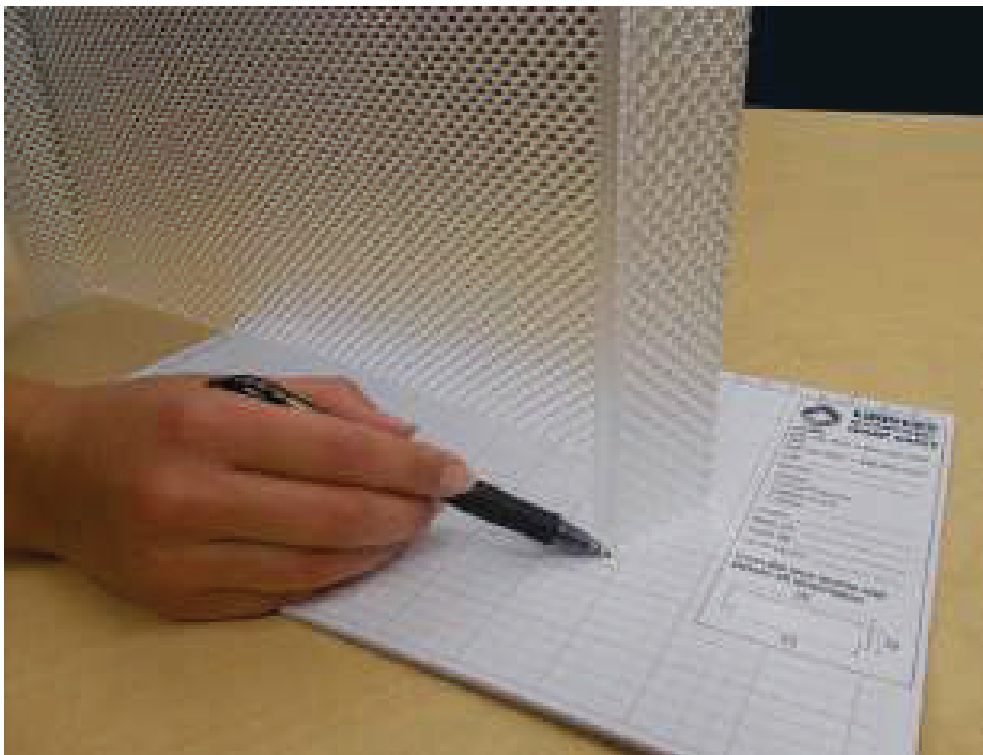


Measure accurately



www.louversintl.com

TRACE THE END VIEW OF THE LENS

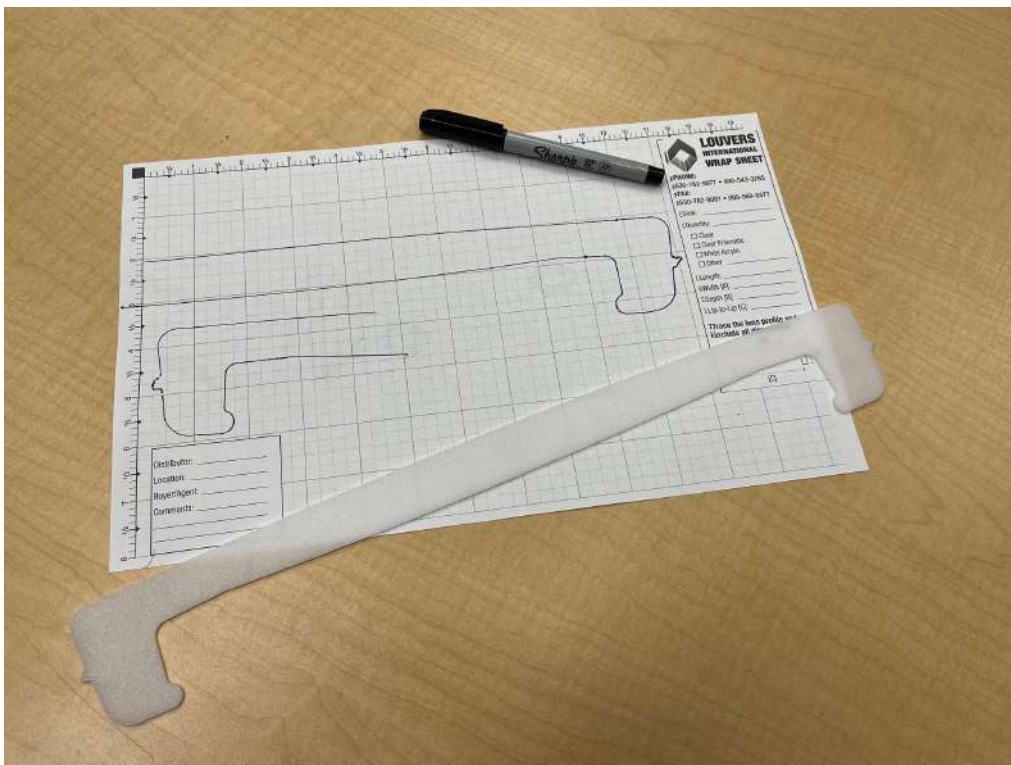


Don't distort the lens



www.louversintl.com

TRACE THE END CAP OF THE LENS



Send photos of shape



www.louversintl.com

SEND QUOTE REQUEST WITH THIS INFO:

- Quantity
- Material (Clear, Clear Prismatic, White Acrylic, Other: _____)
- Measurements from Step 1
- Your illustration of the traced END VIEW or photo of shape
- Your illustration of the traced END CAP

Be sure your illustrations and measurements are accurate

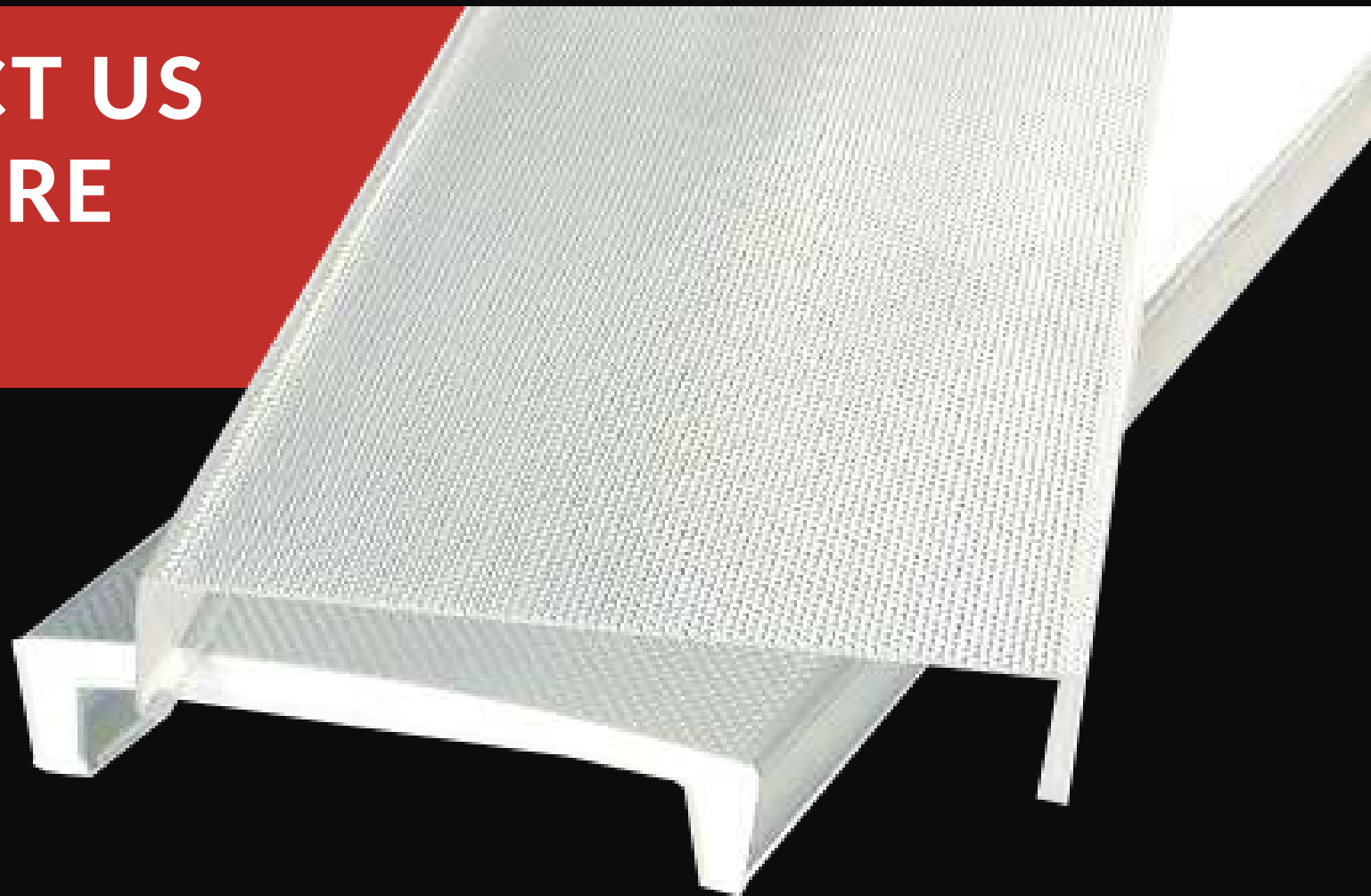
Send all info to your Sales Rep



www.louversintl.com

HOW TO MEASURE FOR CUSTOM WRAP DIFFUSERS

CONTACT US
FOR MORE
DETAILS



www.louversintl.com