

ADVANTAGES

- Wattage Selectable
 - 10W/15W/24W (2ft)
 - 24W/32W/40W (4ft)
 - 40W/50W/64W (8ft)
 - 64W/75W/90W (8ft)
- CCT Selectable
 - 3500K/4000K/5000K
- Input Voltage: AC100-277V
- Lumen: 130lm/W
- PF > 0.90 , CRI > 80
- ETL Certification
- 5 year warranty
- Applications: corridors, offices, schools, hospitals, libraries, public rooms, utility areas, etc.



SPECIFICATIONS

FEATURES

- Easy to open the strip light for quick installation
- Non-Yellow PC Lens
- High-quality LEDs provide bright and uniform lighting
- High efficiency aluminum PCB to assure longer lifespan
- Compatible with standard 0-10V dimmer
- Linkable design for continuous row mount
- Transparent end cap to make light without shadow when continuous row installation
- Wattage & CCT selectable using DIP-switches

INSTALLATION

- Suspend the strip light by using suspension wire
- Surface mounted
- Continuous row installation

CERTIFICATIONS

- Comply with the requirements of the Standard(s) for Luminaires (CAN/CSA-C22.2No. 250.0) and are identified with the cETL Listed Mark

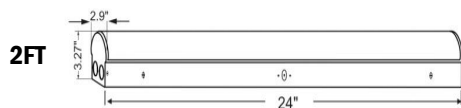
ACCESSORIES

- Emergency battery, motion sensor, surface mounted kits available

WARRANTY

- 5 year warranty

DIMENSIONS



PERFORMANCE

MODEL	SIZE	WATTAGE	CCT	LUMENS	EFFICIENCY
COLT-ST2FT24-35K/40K/50K-[blank,EM,MS,ES]	2ft	10W/15W/24W Selectable	3500K/4000K/5000K Selectable	3120 lm	130 lm/W
COLT-ST4FT40-35K/40K/50K-[blank,EM,MS,ES]	4ft	24W/32W/40W Selectable		5200 lm	
COLT-ST8FT64-35K/40K/50K-[blank,EM,MS,ES]	8ft	40W/50W/64W Selectable		8320 lm	
COLT-ST8FT90-35K/40K/50K-[blank,EM,MS,ES]	8ft	64W/75W/90W Selectable		11700 lm	

ACCESSORIES (order separately)

- | | | |
|---|--|---|
| <input type="checkbox"/> Emergency Batttery | <input type="checkbox"/> Remote Controller | <input type="checkbox"/> Junction Box Cover Plate |
| <input type="checkbox"/> Microwave Sensor | <input type="checkbox"/> Suspension Kit (Standard Accessory) | <input type="checkbox"/> Linkable Connector |
| <input type="checkbox"/> Microwave & Bluetooth Sensor | | |



Curved Plug-In Microwave Sensor

- Patent product
- Curved design special for strip light
- Detection Distance: $\geq 3m/9ft$
- Tiny Microwave Sensor with/out Bluetooth-Mesh
- Audio-Jack Classic Connection, 0-10V Dimming, with Daylight



Internal Emergency Battery

- UL listed approved
- Emergency power: 8W
- Charging time: 24 hours
- Illumination time: 90minutes



Remote Controller

- LCD screen display
- Memory and apply function
- Universal smart controller for dimmable sensor



Junction Box Cover Plate

- To cover the ceiling hole
- Color: White electrical box cover



Linkable Connector

- For continuous row installation
- Color: White steel

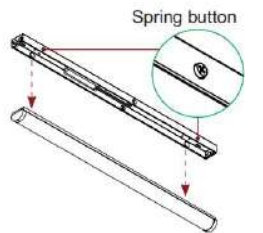
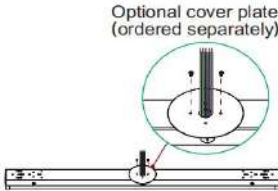




Suspension Kit (Standard Accessory)

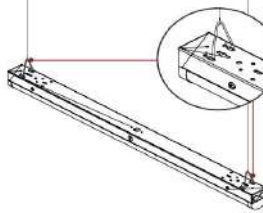
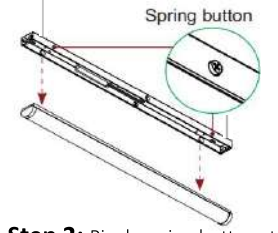

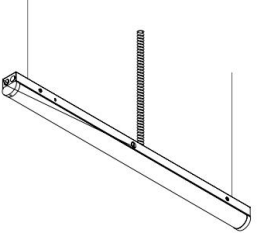
- To suspend the strip light
- Material: Stainless steel

INSTALLATION

SURFACE MOUNT INSTALLATION

 <p>Step 1: Install appropriate anchors into the ceiling or wall, if needed. Pinch spring buttons to remove the lens.</p>	 <p>Step 2: Optional junction box cover plate may be used.</p>	 <p>Step 3: Route power cord through cover plate and wire accordingly with wire nuts inside junction box.</p>	 <p>Step 4: Replace the lens by pushing upward and secure with spring buttons.</p>
---	--	--	--

SUSPENDED INSTALLATION

 <p>Step 1: Attach aircraft cable to each hook and insert hooks into the mounting holes.</p>	 <p>Step 2: Pinch spring buttons to remove the lens and connect wire (if needed) Route power cord and wire according to wire nuts inside junction box.</p>	 <p>Step 3: Attach the aircraft cable to the ceiling and adjust lengths until luminaire is level and secure.</p>	 <p>Step 4: Installation is completed.</p>
---	---	--	---

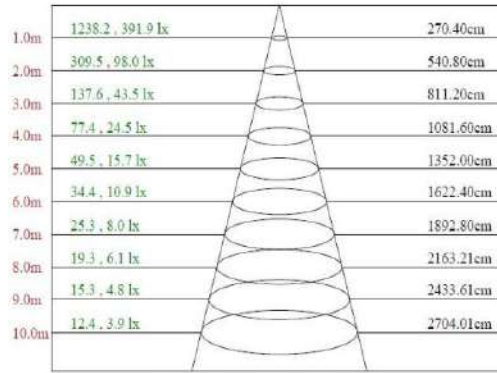
APPLICATIONS



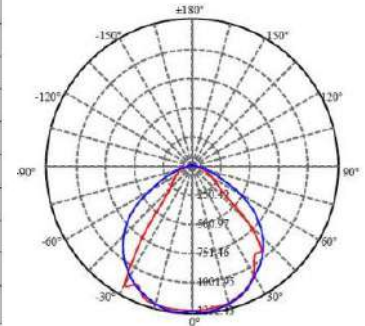
PHOTOMETRIC DATA

COLT-ST2FT24-35K/40K/50K

Minimum Watt	10W
Maximum Watt	24W
PF	0.92
CRI	83
THD	10.9%
Lumen	3120 Lm
Efficacy (AC)	130 Lm/W
Minimum CCT	3500K
Maximum CCT	5000K
Voltage Range	100-277V

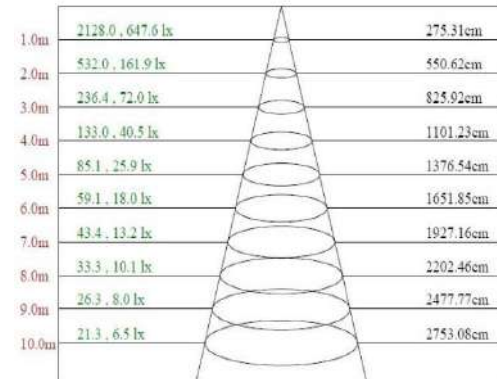


Max, Ave Beam angle of C192.5 plane 107.02

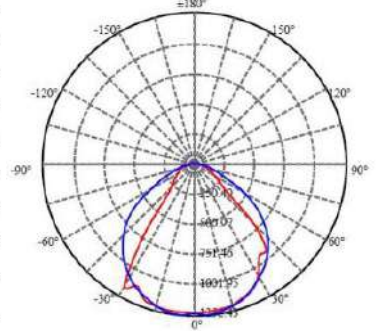


COLT-ST4FT40-35K/40K/50K

Minimum Watt	24W
Maximum Watt	40W
PF	0.98
CRI	84
THD	13.1%
Lumen	5200 Lm
Efficacy (AC)	130lm/W
Minimum CCT	3500K
Maximum CCT	5000K
Voltage Range	100-277V

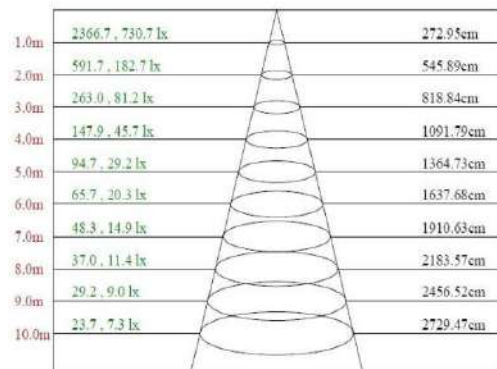


Max, Ave Beam angle of C112.5 plane 108.01



COLT-ST8FT90-35K/40K/50K

Minimum Watt	64W
Maximum Watt	90W
PF	0.973
CRI	84
THD	11.8%
Flux	11700Lm
Efficacy (AC)	130lm/W
Minimum CCT	3500K
Maximum CCT	5000K
Voltage Range	100-277V



Max, Ave Beam angle of C192.5 plane 107.54

