

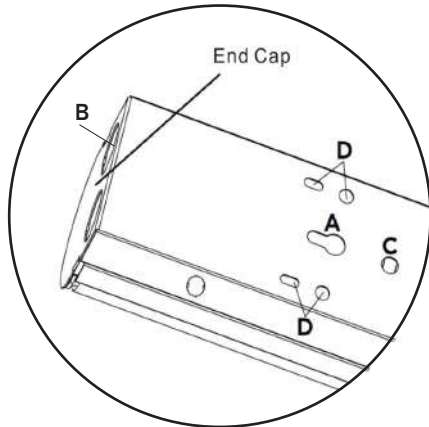
SHORT SPECIFICATION

The Colt LED Strip is here to bring simplicity, efficiency, and an unmatched level of sophistication into your space. This LED is for recessed cavities in walls, ceilings and similar locations. The Colt is a breeze to install, and it can reduce energy consumption by up to 60%. Contact your LouversLED representative today for more information.



MODEL NUMBER	DESCRIPTION	WATTS	LUMENS	DIMENSIONS (L x W x D)
COLT-4-40-4K	4 ft. 40W Colt LED Strip, 4K	40	4,920	48" x 3.35" x 3.56"
COLT-4-40-5K	4 ft. 40W Colt LED Strip, 5K	40	5,422	48" x 3.35" x 3.56"
COLT-8-64-4K	8 ft. 64W Colt LED Strip, 4K	64	7,965	95.9" x 3.35" x 3.62"
COLT-8-64-5K	8 ft. 64W Colt LED Strip, 5K	64	8,227	95.9" x 3.35" x 3.62"

Additional lumen packages and color temperatures available - special order.



Standard Mounting Configurations

- **A** - Keyhole Slots for Surface Mounting
- **B** - Wiring Knock-Outs
- **C** - T Bar Clip Mounting Hole
- **D** - V-hook Openings for Chain Mounting

APPLICATIONS

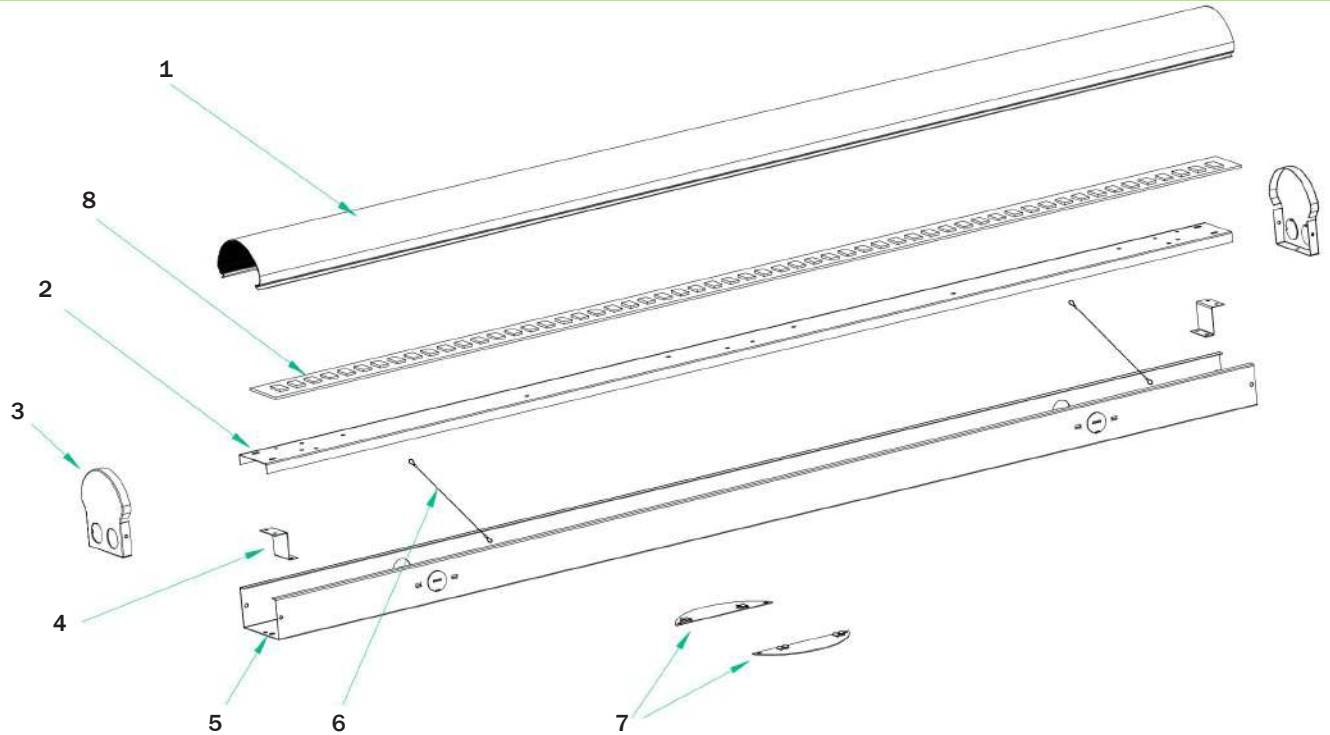
- Commercial
- Corridor
- Garages
- Offices
- Retail displays
- Stairwells and passageways
- Task lighting
- Warehouses
- Work bench

FEATURES

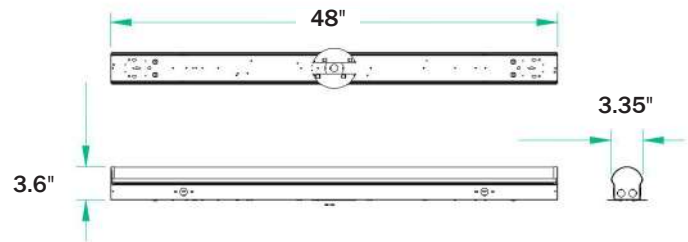
- UL listed
- FCC compliant
- Polycarbonate diffused lens
- Contains no glass or mercury
- Easy to install; contractor friendly
- Multiple sensor options available
- 100-277V
- >120 lm/W
- CRI: >80
- 4,000K or 5,000K color temperatures (custom colors also available)
- Operating temp: -4 °F to 104 °F
- 0 to 10V dimming
- 5 year limited warranty



DIMENSIONS

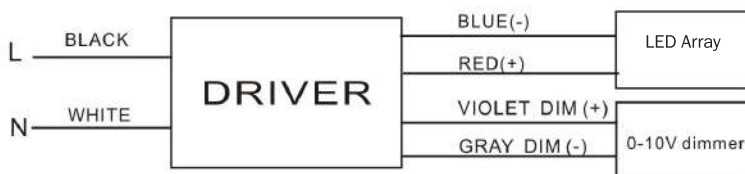


#	DESCRIPTION
1	Diffuser
2	Heat Sink Plate
3	Endcap
4	Support Plate
5	Housing
6	Internal Suspension Cable
7	Junction Box Cover
8	LED Board



*Length of LI-ZY-ST8FT60 is 95.9"

DIMMING CONNECTION



OPTIONS

CORD AND PLUG OPTIONS	
ITEM CODE	DESCRIPTION
6SJ00W14B-L520	6' 14/3 SJ00W CORD BLK L5-20P
6SJTOW14B-715	72" 14/3 SJTOW BLK 7-15 X 6
6SJTOW164W	72" 16/4 SJTOW WHT 105C L 4X4
6SJTOW16B	16/3 SJTOW CORD BLK
6SJTOW16B-L515	72" 16/3 SJTOW BLK 5-15 X 4
6SJTOW16B-L615	6' 16/3 SJTOW CORD BLK L6-15P
6SJTOW16B-L7-20	6' 16/3 SJTOW CORD BLK L7-20P
6SJTOW16B-L715	Cord 6' 16/3 SJTOW CORD BLK L7
6SJTOW16W	6' 16/3 SJTOW CORD WHT
6SJTOW16W-L515	72" 16/3 SJTOW WHT 5-15 X 4
6SJTOW16W-L715	72" 16/3 SJTOW WHT L7-15P X 6
6SJTOW18/5 B	6' 18/5 SJTOW 5 WIRE CORD BLK
6SJTOW18/5 B	6' 18/3 SJTOW CORD WHT 5-15P
6SJTOW18W-515	6' 18/3 SJTOW CORD WHT 5-15P
6STOW14B-L720	6' 14/3 STOW CORD BLK L7-20P
6STOW16/3B	6' 16/3 STOW CORD BLK 600v
6STOW16B-515	6' 16/3 STOW CORD BLK 5-15P
6STOW16W-515	6' 16/3 STOW CORD WHT 5-15P
6STOW16W-L515	6' 16/3 STOW CORD WHT L5-15P
6STOW16W-L715	6' 16/3 STOW CORD WHT L7-15P
10SJ00W16B	10' 16/3 SJ00W BLK CORD
10SJ00W16B-L515	10' 16/3 SJ00W BLK CORD L5-15P
10SJ00W16B-L715	10' 16/3 SJ00W BLK L7-15P
10SJTOJ16/4B	10' 16/3 SJTOW BLACK CORD
10SJTOW16B	10' 16/3 SJTOW BLACK CORD
10SJTOW16B-515	10' SJTOW 16/3 BLK 5-15 PLG
10SJTOW16B-L515	10' SJTOW 16/3 BLK W L5-15 PLG
10SJTOW16W	10' 16/3 SJTOW WHITE CORD
11SJ00W16B-L715	11' 16/3 SJ00W BLK CORD L7-15P
11SJT16B	11' 16/3 SJT BLK CORD
11SJTOW16W-L715	11' 16/3 SJTOW WHT CORD L7-15P
12SJ00W16B	12' 16/3 SJ00W BLK CORD
14/3-FMC6'-NP	6' METAL WHIP NO PLUG
6FT 18/3 FMC WHIP	18/3 FLEX MTL WHIP

OCCUPANCY SENSORS	
ITEM CODE	DESCRIPTION
LI-OS-E	ON/OFF OCC SENSOR
LOD-500SEB	0-10V BI-LEVEL DIMMING OCC SENSOR

HANGING OPTIONS	
LI-GL-HB	10' AIRCRAFT CABLE WITH TOGGLE
LI-GL-HB-V	10' AIRCRAFT CABLE WITH V HOOKS
LI-HB-VH	3' HIGHBAY HOOK AND CHAIN
480 VOLT OPTION	CONSULT FACTORY