

### FEATURES

The CYLLY Cylinder Series by Louvers International offers numerous cylinder lighting options that complement our suspended lighting platform, while providing a consistent aesthetic. Performance and beauty are both in play with our sleek architectural cylinders.

Blending timeless aesthetics and high-performance LED, the CYLLY Series downlights create pleasant, uniformly illuminated indoor environments. Engineered for superior visual comfort, they come in a variety of beam options, with a full range of trim and mounting options. Our collection of cylinders ensure a high level of lighting design flexibility in commercial and institutional applications.

- Modular Design: up to 100,000 unique combinations
- COB LED Chip: 80+ standard, 90+ CRI optional
- Dimming: 0-10V (10% standard, 1% optional) or TRIAC
- Beam Angle :15°, 24°, 36°, 60° options
- Architectural Form : 4", 6" and 8" with multiple trim options
- Wattage Selectable: 90~105 lm/w
- Mounting : pendant or surface available

### SPECIFICATIONS

#### Construction

- Constructed of rigid die cast aluminum
- Powder coated polyester paint in standard white or black
- Aluminum housing acts as heat sink to maximize life

#### Electrical

- Class 2 high efficiency LED driver with standard 0-10V dimming which dims to 10%. Dimming to 1% and TRIAC dimming optional
- Input voltage 120-277V
- THD <20%; Power Factor > 0.9
- Environment damp rated for ambient operating temperatures of -4°F to 104°F (-20°C to 40°C)

#### Optics

- Powered by high efficiency COB LED chips
- CRI >80 with optional >90 available
- CCT 2700K, 3000K, 3500K, or 4000K with a great color consistency
- 15° / 24° / 36° / 60° fixed beam spread options
- Cylinder beam spreads are interchangeable and can be easily swapped out in the field without tools

### PERFORMANCE

DIMENSION	WATTAGE SELECTABLE	EFFICACY	LUMENS
4"	25W/18W/12W	95 lm/W	1,140-2,350 lm
6"	40W/30W/20W	105 lm/W	2,100-4,200 lm
8"	58W/45W/30W	90 lm/W	2,610-5,220 lm



#### Mounting

- **Cable Mount**  
White/black cable is provided in length specified (2', 4' or 8')  
Installers can cut the cable in the field to desired length.  
Note: For 4", only use the power cable to suspend  
For 6" or 8", power cable and aircraft cable are separated
- **Pendant Stem Mount**  
Ø12/25" steel stem is provided in length specified (2', 4', or 8')  
and is provided in white or black finish

#### Certifications and Listings

- cULus listed for damp locations
- For interior use only






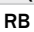

#### Warranty

- 5-year limited warranty



#### ORDERING GUIDE

EXAMPLE: CYLLY6R-WH10-8035M-AW-RJC04

SERIES	SIZE	SHAPE	FINISH	DIMMING OPTIONS	CRI	CCT	BEAM OPTIONS	TRIM OPTIONS	MOUNTING OPTIONS	PENDANT ACCESSORY
CYLLY Cylinder Series	<b>4</b> 4 inch 25W/18W/12W Selectable	R Round	<b>WH</b> White	<b>10</b> 0-10V (Dims to 10%)	<b>80</b> 80+ CRI	<b>27</b> 2700K	<b>N</b> Narrow Beam, 15°	<b>Standard Aluminum</b>	RJ Pendant with Flat Canopy Style for Recessed J-Box	<b>Cable Mount</b>
	<b>6</b> 6 inch 40W/30W/25W Selectable		<b>BL</b> Black	<b>01</b> 0-10V (Dims to 1%) or TRIAC Dimming	<b>90</b> 90+ CRI	<b>30</b> 3000K	<b>M</b> Medium Beam, 24°	<b>Decorative Options</b>		<b>C02</b> 2' Nominal Length
	<b>8</b> 8 inch 58W/45W/30W Selectable		<b>CM</b> Custom Colors	<b>NOTE: 1% or Triac dimming hasn't 58W option.</b>		<b>35</b> 3500K	<b>W</b> Wide Beam, 36°	<b>DB</b>  Blue <b>DY</b>  Yellow* <b>DG</b>  Green* <b>DW</b>  Transparent* <b>DR</b>  Red*		<b>C04</b> 4' Nominal Length
	<b>NOTE: Specify wattage if require 0-10V(dim to 1%) or TRIAC dimming</b>					<b>40</b> 4000K	<b>F</b> Flood Beam, 60°	<b>12" Regress Trim Options (Only for 4" cylinder)</b> <b>RB</b>  Black <b>RW</b>  White		<b>SJ</b> Pendant with Conduit Cutout Deep Canopy Style for Surface Mounted 4" Octagonal Junction Box
									<b>NOTE: The color of canopy, cable and stem are the same as the finish of luminaire unless otherwise specified.</b>	<b>Rigid Stem Mount</b>
										<b>S02</b> 2' Nominal Length <b>S04</b> 4' Nominal Length <b>S08</b> 8' Nominal Length <b>S##</b> Specify length of cord/aircraft cable

\*Additional cost and/or lead time on customized fixtures may apply.  
Some fixtures require an MOQ. Please contact your sales rep for more information.

#### PRODUCT PORTFOLIO CONFIGURATION

##### White Exterior Finishes



##### Black Exterior Finishes



### MOUNTING

#### Cable Mount

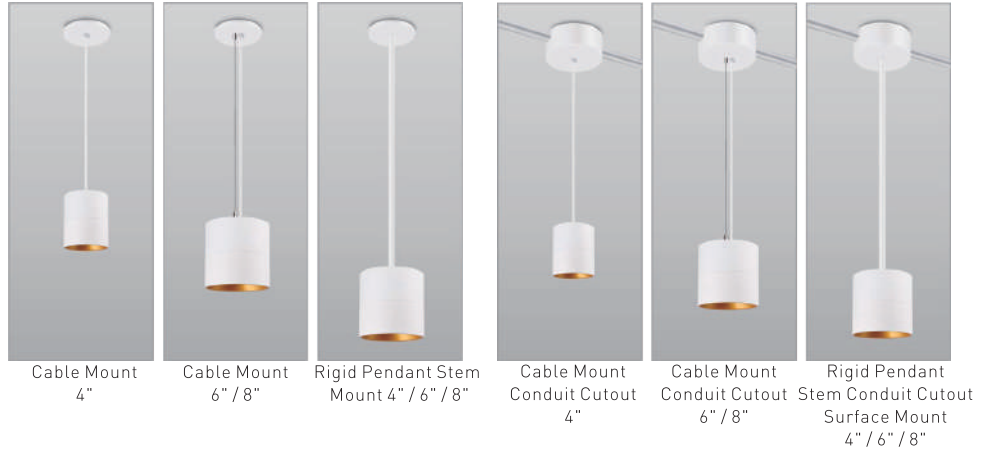
White/black cable is provided in length specified (2' nominal, 4' nominal or 8' nominal). Installers can cut the cable in the field to desired length.

#### Note:

- For 4", only use the power cable to suspend.
- For 6" and 8", the power cable and aircraft cable are separated.

#### Pendant Stem Mount

Ø12/25" steel stem is provided in length specified (2' nominal, 4' nominal, or 8' nominal) and is provided in white or black finish.



### CANOPY OPTIONS

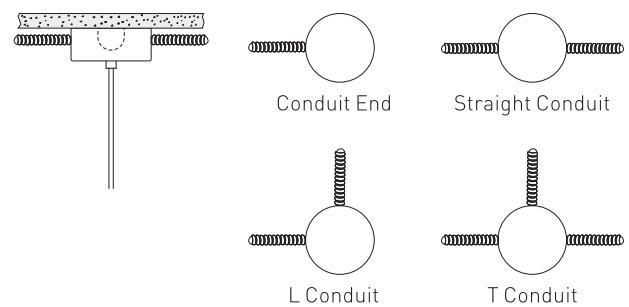
#### Flat Canopy for Recessed J-Box

If J-box is recessed (3" octagon, 4" octagon and 4" round), a 4.5" flat canopy is provided for mounting to recessed junction box in white or black powder coat painted finish.

#### Conduit Cutout Deep Canopy for Surface Mount J-Box

If standard 4" octagonal J-box is surface mounted, a Ø5.97" round x 2.38" deep canopy with conduit cutout is provided for mounting. Conduit cutout canopy has 4 key slots, one in each side, and can be configured to accommodate any ceiling layout using ½" or ¾" conduit. Conduit cutout canopy is provided white and black powder coat painted finish.

#### Conduit Cutout Mounting Example



### OPTIONAL FUNCTION

#### Emergency Option

Optional high voltage 8W emergency LED driver EM-H08170-LBF can be provided. When AC power fails it immediately switches to the emergency mode, operating for lighting up to 120 minutes. When AC power is restored, it automatically returns to the charging mode which meets critical life-safety lighting requirements.

For more info or spec sheet, please visit our website or contact sales.



#### Emergency Lumen Output

FIXTURE EFFICACY	OUTPUT POWER 8W
80 lm/W	640 lumens

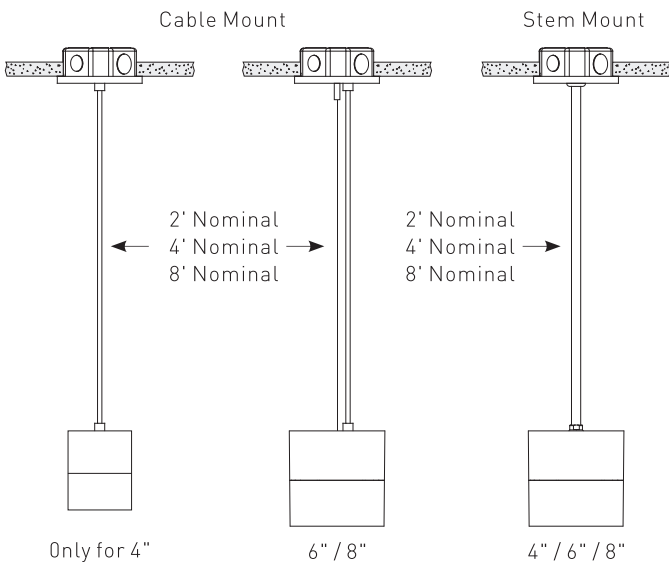
#### DIMMER COMPATIBILITY

Dimmer Type TRIAC	DV600P	DVCL-153P	6683	DV603P	6672	S-600P	MSCL-DP153M	S-603P	LG-600P	TGCL-153DH	SCL-153P	6674-LEVITON	CTCL-153P	CT-603PG
CYLLY4-25W	✓	✓	✓	✓	✗	✓	✓	✓	✓	✓	✓	✓	✓	✓
CYLLY6-40W	✓	✓	✓	✓	✗	✓	✓	✗	✓	✗	✓	✓	✓	✓
CYLLY8-58W	✗	✓	✓	✓	✓	✗	✓	✓	✗	✓	✓	✓	✓	✓

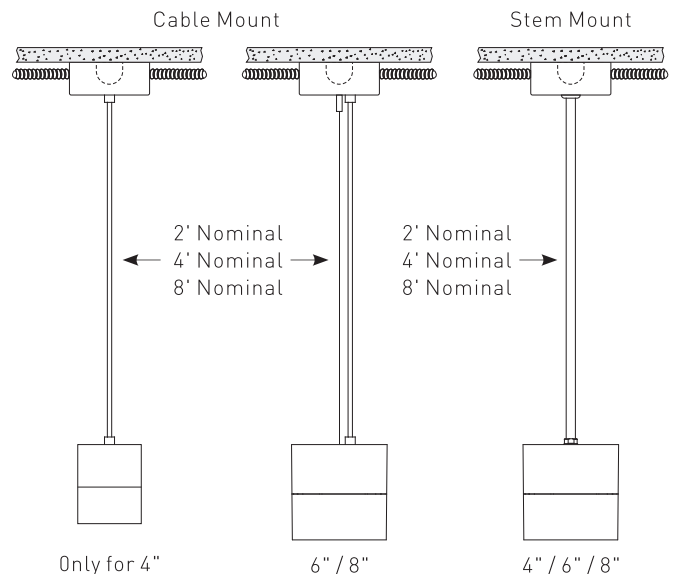
Dimmer Type 0-10V	LEVITON DD710	LUTRON MS-Z101	LUTRON NTSTV-DV	LEGRAND RH4FBL3PTC	LUTRON DVSTV	LEVITON IP710
CYLLY4-25W 1%	✗	4% below	✓	✓	✓	✓
CYLLY6-40W 1%	✓	✓	✓	✓	✓	✓
CYLLY8-58W 1%	✓	✓	✓	✓	✓	✓
CYLLY4-25W 10%	✓	✓	✓	✓	✓	✓
CYLLY6-40W 10%	✓	✓	✓	✓	✓	✓
CYLLY8-58W 10%	✓	✓	✓	✓	✓	✓

#### PENDANT OPTIONS

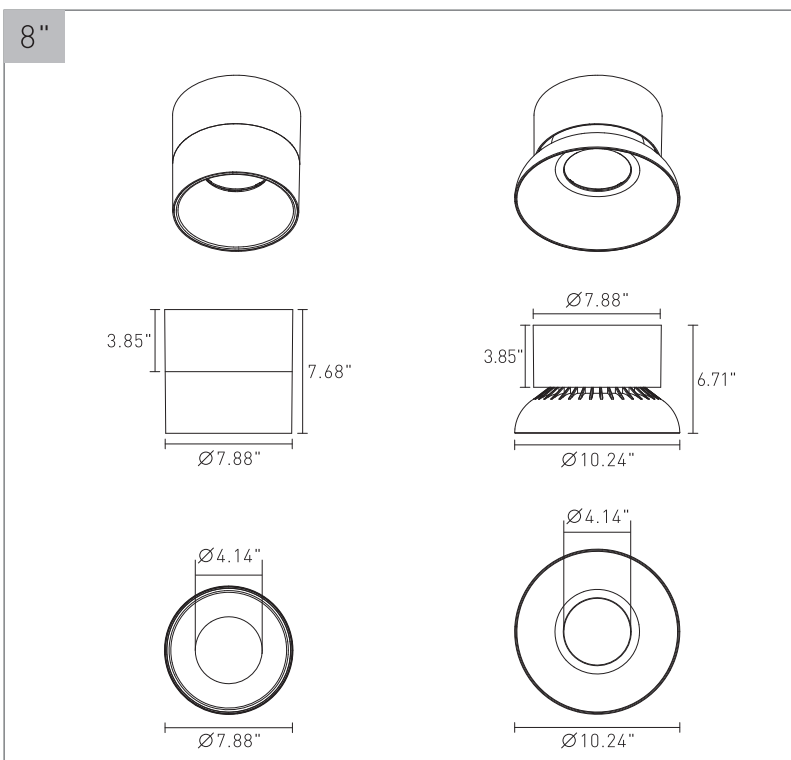
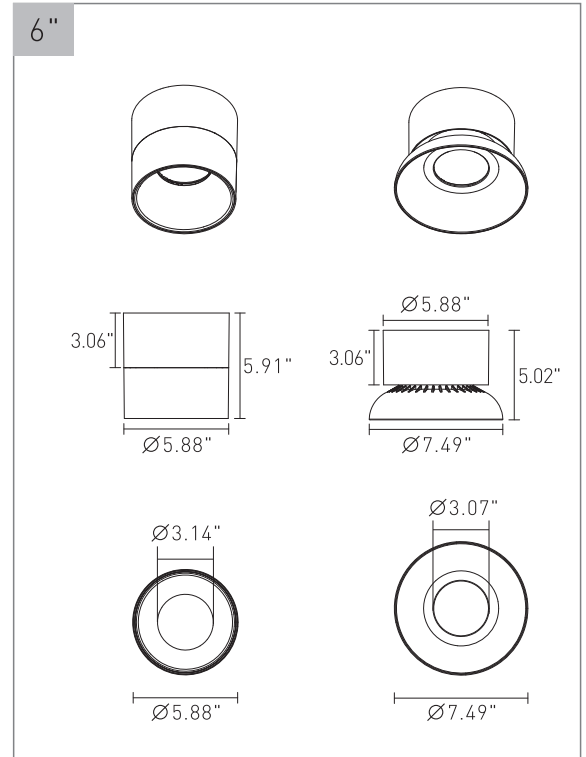
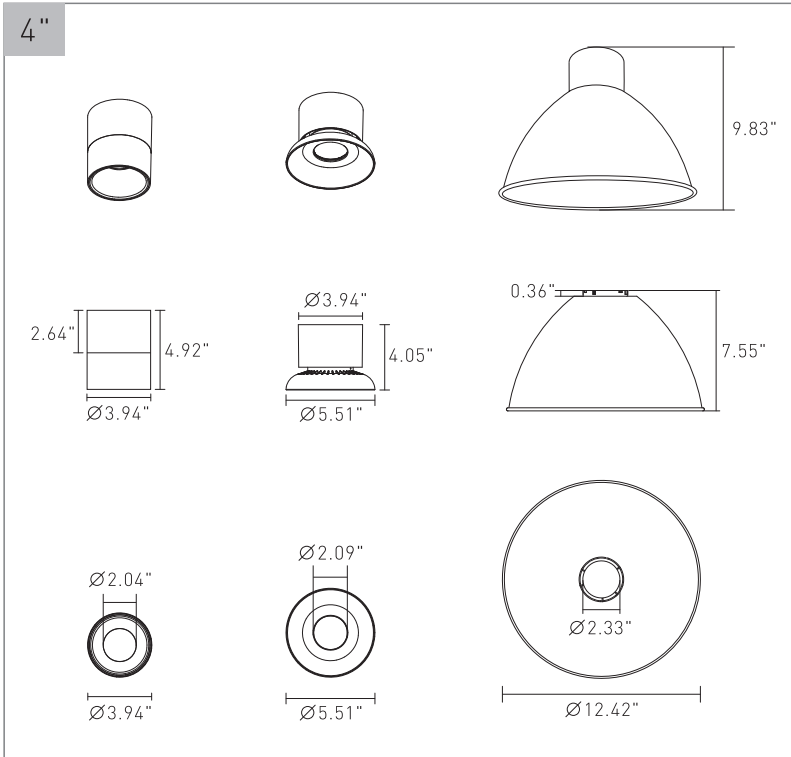
##### For use with recessed J-boxes



##### For use with surface mounted J-boxes

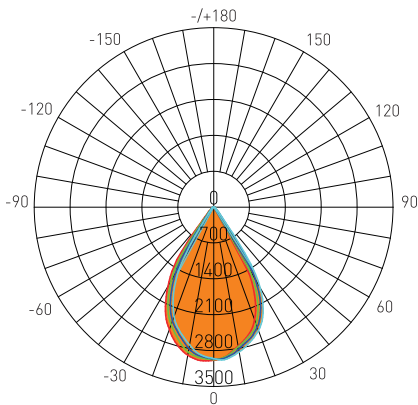


#### DIMENSIONS



#### DISTRIBUTION DIAGRAM

4" / 3000K / 60°



AVERAGE BEAM ANGLE[50%]: 61.0°

Test Number: CYLLY4R-WH10-8030F UNIT: cd  
 Lumens: 2612.6 Lm  
 Watts: 25 W  
 LPW: 103.94 Lm/W  
 CCT: 3000K

#### Zonal Flux Diagram

T	C0	C45	C90	C135	C180
10	2751	2786	2868	2917	2931
20	2335	2466	2558	2593	2538
30	1094	1535	1818	1905	1800
40	155.1	194.4	245.3	438.2	400.3
50	62.68	63.03	65.58	79.00	102.6
60	44.26	44.48	45.54	54.19	62.64
70	23.80	23.01	22.92	28.39	34.03
80	2.913	5.007	6.675	7.312	11.58
90	0.1544	0.1118	0.3414	0.4778	0.2661
100	0.0980	0.1167	0.1027	0.1260	0.1499
110	0.1725	0.2939	0.8678	0.2707	0.6863
120	0.3081	0.3082	0.3596	0.3502	0.7190
130	0.8022	0.6450	0.4290	0.4484	0.8034
140	2.066	1.785	1.408	1.243	1.589
150	3.714	3.274	2.851	2.718	3.120
160	5.316	4.917	4.461	4.184	4.698
170	6.381	6.205	6.044	5.930	6.233
180	6.788	6.806	6.652	6.657	6.797

DEG LUMINOUS INTENSITY:cd

#### Zonal Lumens

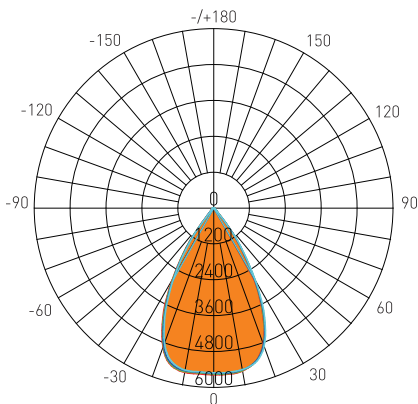
T	φ total
0-10	275.7
10-20	1016
20-30	1941
30-40	2403
40-50	2499
50-60	2552
60-70	2587
70-80	2603
80-90	2605
90-100	2605
100-110	2605
110-120	2606
120-130	2606
130-140	2607
140-150	2609
150-160	2610
160-170	2612
170-180	2613

UNIT: lm

#### Luminance cd/(m2)

G(DEG)	C0/180	C90/270
85	2079	6732
80	2892	6628
75	8458	9206
70	11997	11556
65	13945	13764
60	15263	15703
55	16203	17152
50	16813	17592
45	17695	27503

6" / 3000K / 60°



AVERAGE BEAM ANGLE[50%]: 59.6°

Test Number: CYLLY6R-WH10-8030F UNIT: cd  
 Lumens: 5046.4 Lm  
 Watts: 45 W  
 LPW: 111.38 Lm/W  
 CCT: 3000K

#### Zonal Flux Diagram

T	C0	C45	C90	C135	C180
10	5529	5511	5486	5486	5576
20	4834	4887	4923	4940	4963
30	2643	2758	2803	2894	2818
40	433.5	487.4	508.0	551.8	472.2
50	100.6	104.4	102.4	105.5	99.85
60	72.33	72.16	70.84	70.56	71.23
70	44.46	45.15	44.15	44.05	43.76
80	18.19	18.90	17.92	18.39	18.56
90	0.1782	0.1447	0.1496	0.1447	0.1447
100	0.1727	0.1868	0.1494	0.1821	0.1729
110	0.2565	0.2615	0.2147	0.2568	0.2569
120	0.3688	0.3923	0.3823	0.3596	0.3737
130	1.082	1.047	0.9929	0.9770	1.080
140	3.232	3.112	3.031	2.920	3.318
150	6.392	6.202	6.089	5.889	6.530
160	9.529	9.302	9.245	9.017	9.601
170	12.21	12.07	11.91	11.77	12.11
180	13.29	13.37	13.15	13.16	13.31

DEG LUMINOUS INTENSITY:cd

#### Zonal Lumens

T	φ total
0-10	526.3
10-20	2017
20-30	3780
30-40	4714
40-50	4863
50-60	4936
60-70	4993
70-80	5025
80-90	5033
90-100	5033
100-110	5033
110-120	5033
120-130	5034
130-140	5036
140-150	5039
150-160	5042
160-170	5045
170-180	5046

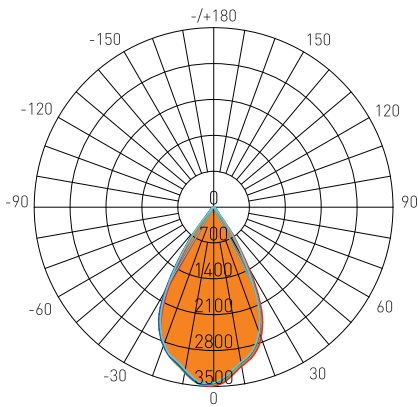
UNIT: lm

#### Luminance cd/(m2)

G(DEG)	C0/180	C90/270
85	5141	5059
80	6800	6703
75	7678	7640
70	8441	8382
65	9032	8906
60	9393	9200
55	9336	9072
50	10163	10349
45	14737	15549

### DISTRIBUTION DIAGRAM

8" / 3000K / 60°



AVERAGE BEAM ANGLE(50%): 57.7°

Test Number: CYLLY8R-WH10-8030F UNIT: cd  
 Lumens: 6000.6 Lm  
 Watts: 60 W  
 LPW: 95.85 Lm/W  
 CCT: 3000K

UNIT: cd  
 C0/180, 57.5°  
 C30/210, 57.8°  
 C60/240, 58.0°  
 C90/270, 57.5°

#### Zonal Flux Diagram

T	C0	C45	C90	C135	C180
10	6752	6641	6582	6635	6997
20	5798	5610	5550	5774	6119
30	2943	2631	2544	3088	3598
40	323.2	281.4	268.1	369.4	569.4
50	101.4	92.02	90.41	103.3	137.4
60	66.11	63.45	62.41	64.37	68.46
70	40.56	38.05	37.37	39.94	43.13
80	16.48	14.58	14.33	16.84	19.29
90	0.1635	0.1495	0.1728	0.1494	0.6340
100	0.1633	0.2008	0.1867	0.1961	0.1821
110	0.2426	0.2895	0.2613	0.2755	0.2615
120	0.4150	0.4624	0.4521	0.4110	0.3877
130	1.310	1.501	1.445	1.183	1.038
140	4.020	4.396	4.323	3.738	3.636
150	7.830	3.274	2.851	2.718	3.120
160	11.69	12.09	12.00	11.29	11.30
170	15.06	15.17	14.99	14.64	14.78
180	16.06	16.06	15.84	15.86	16.12
DEG	LUMINOUS INTENSITY:cd				

#### Zonal Lumens

T	φ total
0-10	670.6
10-20	2462
20-30	4629
30-40	5655
40-50	5820
50-60	5892
60-70	5945
70-80	5976
80-90	5984
90-100	5985
100-110	5985
110-120	5985
120-130	5986
130-140	5988
140-150	5991
150-160	5995
160-170	5999
170-180	6001
	UNIT: lm

#### Luminance cd/(m2)

G(DEG)	C0/180	C90/270
85	2815	2099
80	3569	3101
75	4060	3666
70	4458	4108
65	4761	4451
60	4970	4692
55	5058	4836
50	5932	5288
45	9205	8235