

The Gravy Panel has become even easier with our new wattage and CCT selectable versions. The back-lit technology eliminates the need for an acrylic light guide resulting in significantly increased performance and competitive prices. Our diffuser with UV-inhibitors offers great value while ensuring no yellowing of the lens.

Gravy Panels are commercial luminaires utilizing an advanced LED optical system to achieve superior performance. They provide high uniformity, excellent efficiency and reduced glare in T-grid ceiling applications as well as surface mount and pendant installations.

Don't forget to check out our flat panel enhancement for decorative lenses, frosted drop lenses, and acoustical paneling elements for a different look than the rest!



The ideal back-lit panel solution

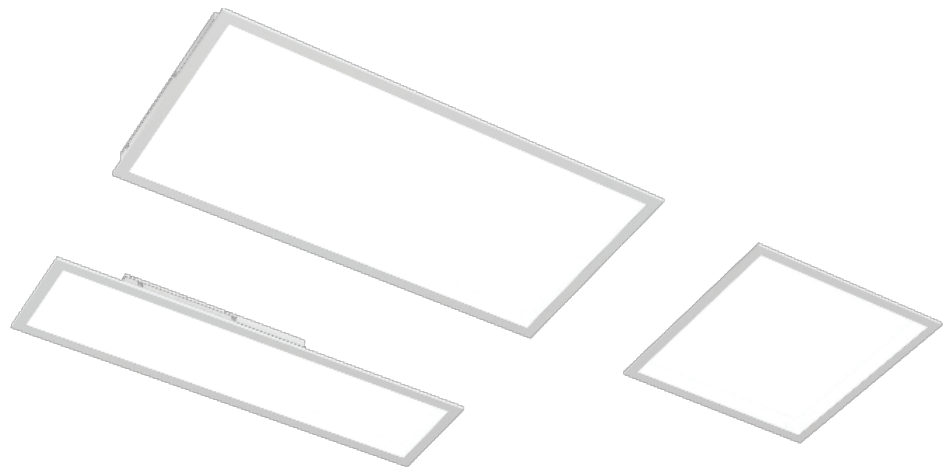


BENEFITS

- ✓ State of the art back-lit technology
- ✓ High reliability
- ✓ Zero inventory cost
- ✓ Instant availability
- ✓ Zero shipping charges
- ✓ 48-hour shipping
- ✓ No hassle logistics
- ✓ All standard configurations
- ✓ No minimum order quantity
- ✓ Low cost guarantee
- ✓ 5-year warranty

FEATURES

- Multiple sizes and lumen packages available
- CCT selectable - 35K, 4K, and 5K
- Extensively tested, high quality LEDs and flicker free driver
- Linear driver integrated into side of panel saves space in shipping
- Includes T-grid clips for additional safety
- Surface mount and pendant mount kits available





GRAVY PANEL SELECTABLE LED BACKLIT PANEL LIGHT

BUILD YOUR ORDER SKU NUMBER

Create your customized product by building your model number. Select your size, input wattage, DLC version, and options. An example of a completed custom SKU number is provided below:

Sample **GPS-24-U-P, GPS-22-U-P-1**

Model	Size	Input Voltage	DLC	Option	Weight	Lumens	LPW
GPS							

DLC PREMIUM

GPS = GRAVY PANELS CCT* & WATTAGE SELECTABLE	22 = 2x2	U = 120-277V H = 120-347V	P = PREMIUM	E = With Emergency Backup (Only for 120-277V)	5.11 lbs	20W 2500	30W 3750	36W 4500	125
	14 = 1x4	U = 120-277V H = 120-347V	P = PREMIUM	E = With Emergency Backup (Only for 120-277V)	5.27 lbs	20W 2500	30W 3750	40W 5000	125
	24 = 2x4	U = 120-277V H = 120-347V	P = PREMIUM	E = With Emergency Backup (Only for 120-277V)	8.82 lbs	30W 3750	40W 5000	45W 5625	125
	22 = 2x2	U = 120-277V H = 120-347V	P-1 = PREMIUM	E = With Emergency Backup (Only for 120-277V)	5.11 lbs	18W 2250	24W 3000	30W 3750	125
	14 = 1x4	U = 120-277V H = 120-347V	P-1 = PREMIUM	E = With Emergency Backup (Only for 120-277V)	5.27 lbs	18W 2250	24W 3000	28W 3500	125

* CCT Selectable: 35K, 4K, 5K

SPECIFICATION

Optical Parameters

SDCM	<5
BEAM ANGLE	120°
Fixture Color RAL	9001
Material	PMMA Lens / PS diffuser
	Frame: Aluminum
	Back cover housing: Zinc-coated Iron or White Paint

Life

Warranty	5 years
-----------------	---------

Installation Information

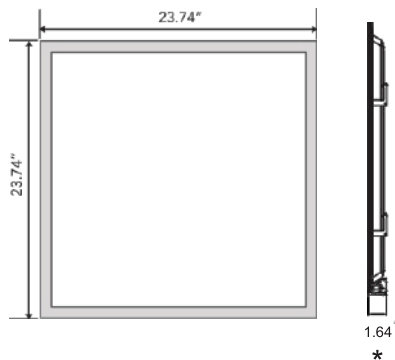
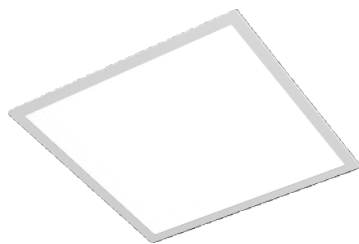
Average ambient temperature	Operating temperature range: -20-+3 5C
Ceiling type	T-bar (STS), Suspension or surface optional
Light source	Non-replaceable LED module

Electrical Parameters

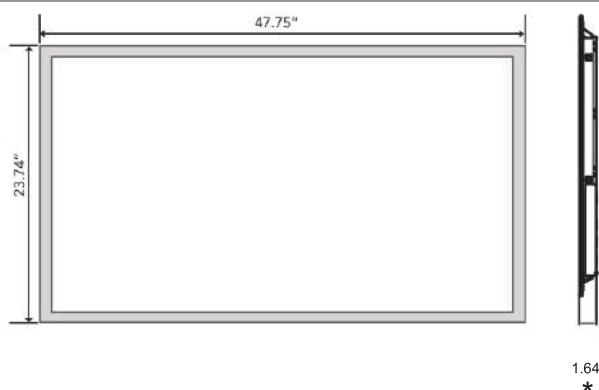
Dimming	0-10V
Input Voltage	120-277VAC or 120-347VAC 50/60Hz
PF	>0.9
THD	<20%

PHOTO | DIMENSION

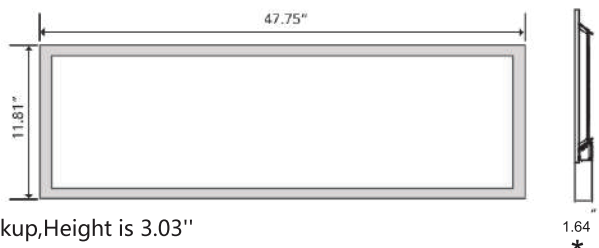
2x2



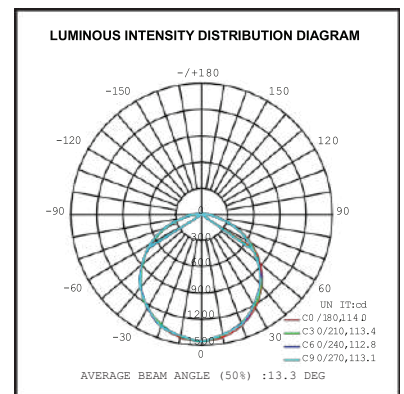
2x4



1x4



* : for Model with Emergency Backup, Height is 3.03"



LAMBERTIAN

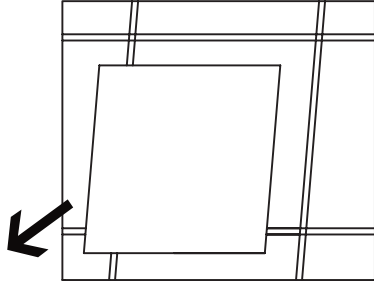
MOUNTING KITS

SKU	TYPE
GP-SMF-22-W	2X2 Surface
GP-SMF-24-W	2x4 Surface
GP-PKT-12-S	2 Cables
GP-PKT-14-S	4 Cables

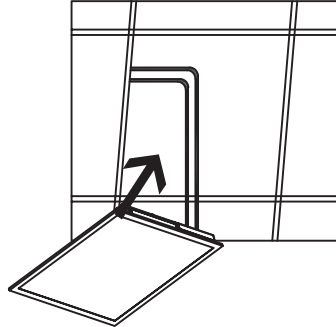
IES files available at
www.louversintl.com
 or
info@louversintl.com

T-BAR MOUNTING (STANDARD INSTALL)

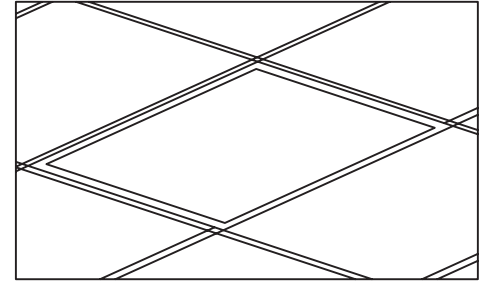
Available for 2x2, 2x4 and 1x4 versions



1. Remove the plaster board from the ceiling.



2. Fix the panel into ceiling.



3. Installation finished.

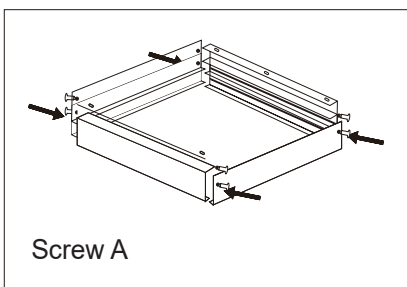
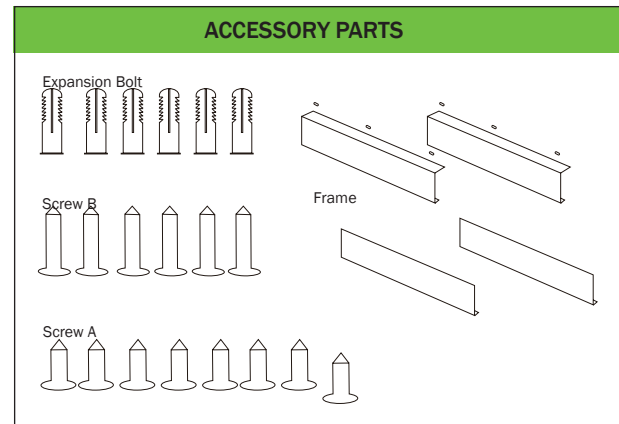
* T-bar mounting clips included * Full installation instructions included

SURFACE MOUNTING KIT (OPTIONAL)

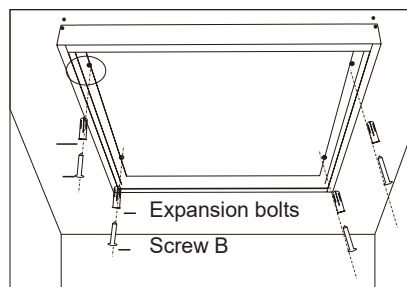
Available for 2x2 and 2x4 versions only

Accessory Parts List	Quantity	Size	Material
Screw A (KS 3.5X13)	8	0.04 inches diameter, 0.40 inches length	Zinc Coated Iron
Screw B (KA 4X25)	6	0.16 inches diameter, 0.98 inches length	Zinc Coated Iron
Expansion Bolt	6	0.24 inches diameter, 1.18 inches length	PVC
Frame	4	24.17 inches length, 2.44 inches height	Aluminum

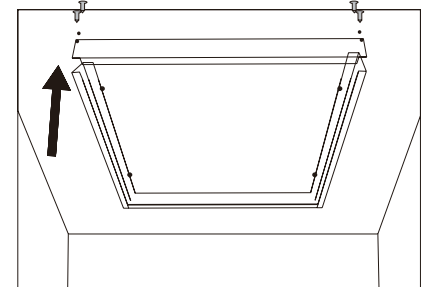
SKU	TYPE
GP-SMF-22-W	2x2 Surface
GP-SMF-24-W	2x4 Surface



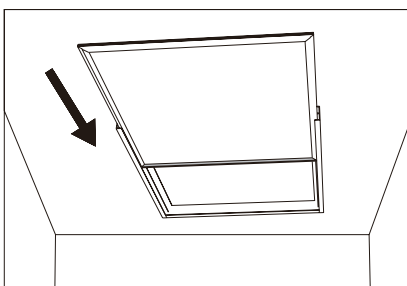
1. Assemble the four sides with 2 X screw A each to create the frame.



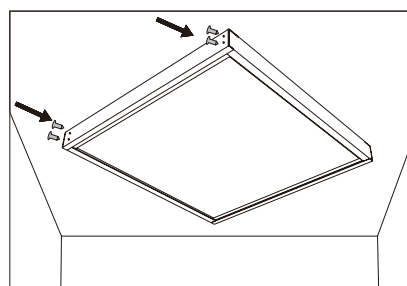
2. Fix the frame to the ceiling with screw B and expansion bolts.



3. Once securely mounted to the ceiling disassemble one end (without mounting screws to the ceiling).



4. Insert the panel into the frame square.



5. Reassemble the remaining end with screw A.

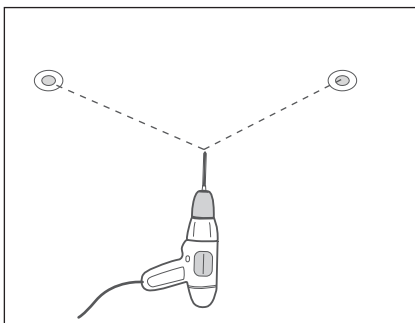
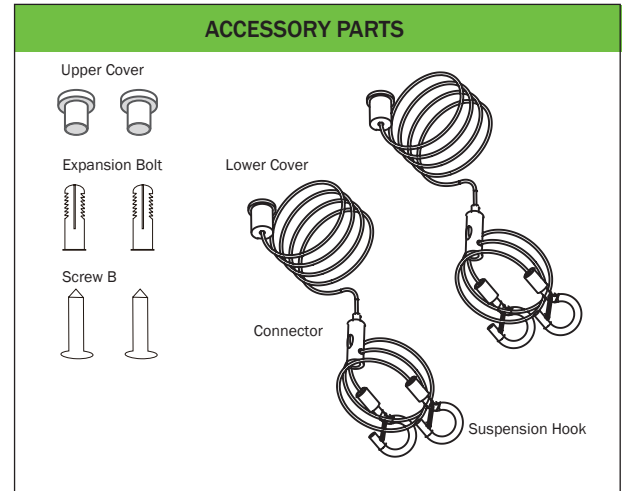
MOUNTING AND ACCESSORY KITS

2 CABLES SUSPENSION MOUNTING KIT (OPTIONAL)

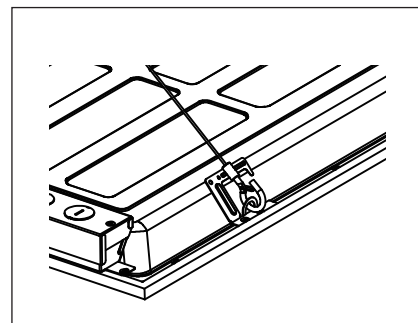
Available for 2x2, 2x4 and 1x4 versions

Accessory Parts List	Quantity	Size	Material
Screw B (KA 4X25)	2	0.16 inches diameter, 0.98 inches length	Zinc Coated Iron
Expansion Bolt	2	0.24 inches diameter, 1.18 inches length	PVC
Upper Cover	2	0.59 inches diameter, 0.67 inches height	Nickel Plated Copper
Lower Cover	2	0.45 inches diameter	Zinc Coated Iron
Cable	2	3.28 foot main cable, 2.30 foot branch cable	Stainless
Connector	2	0.35 inches diameter, 1.02 inches height	Stainless
Suspension Hook	4	0.74 inches width, 1.30 inches height	Zinc Coated Iron

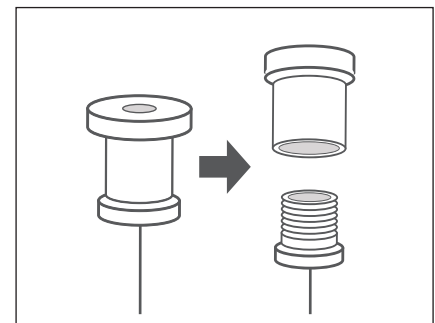
SKU	TYPE
GP-PKT-12-S	2 Cables



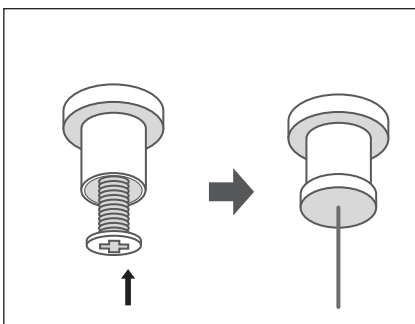
1. According to the length and the width of the panel light, drill four mounting holes on the mounting position.



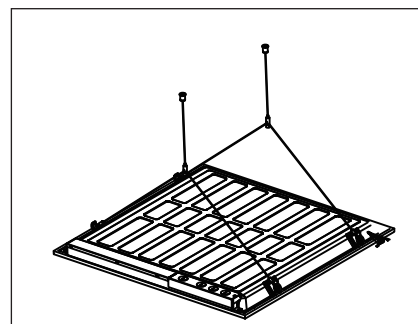
2. Buckle up the suspension kit to the earthquake hook.



3. Twist off the rope grab devices into two parts.



4. Using self-tapping screw to lock the upper cover to mounting holes, twist matching the lower cover.



5. Release wire and connect to panel light. Buckle up the suspension hooks to the triangle hooks attached on panel light.

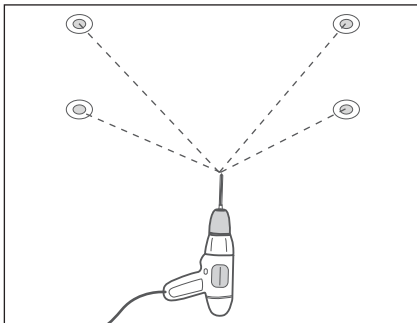
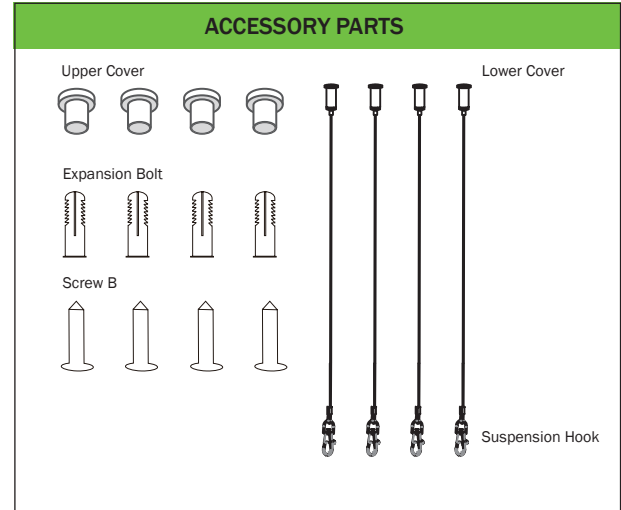
MOUNTING AND ACCESSORY KITS

4 CABLES SUSPENSION MOUNTING KIT (OPTIONAL)

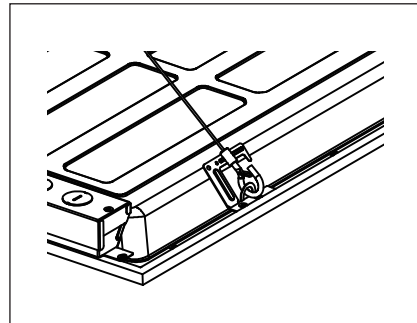
Available for 2x2, 2x4 and 1x4 versions

Accessory Parts List	Quantity	Size	Material
Screw B (KA 4X25)	4	0.16 inches diameter, 0.98 inches length	Zinc Coated Iron
Expansion Bolt	4	0.24 inches diameter, 1.18 inches length	PVC
Upper Cover	4	0.59 inches diameter, 0.67 inches height	Nickel Plated Copper
Lower Cover	4	0.45 inches diameter	Zinc Coated Iron
Cable	4	3.28 foot length	Stainless
Suspension Hook	4	0.74 inches width, 1.30 inches height	Zinc Coated Iron

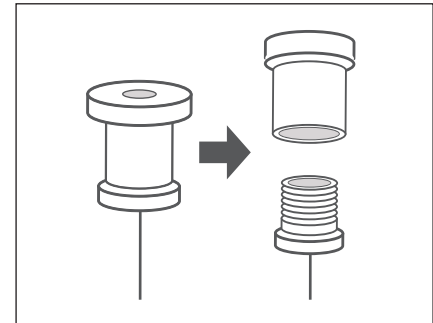
SKU	TYPE
GP-PKT-14-S	4 Cables



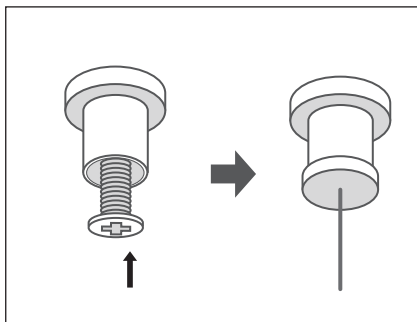
1. According to the length and the width of the panel light, drill four mounting holes on the mounting position.



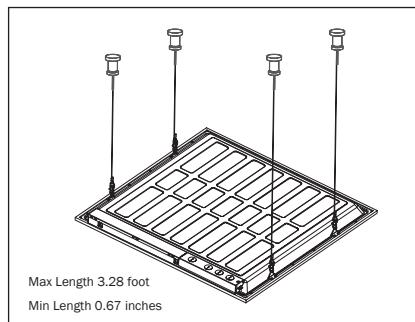
2. Buckle up the suspension kit to the earthquake hook.



3. Twist off the rope grab devices into two parts.



4. Using self-tapping screw to lock the upper cover to mounting holes, twist matching the lower cover.



5. Release wire and connect to panel light. Buckle up the suspension hooks to the triangle hooks attached on panel light.